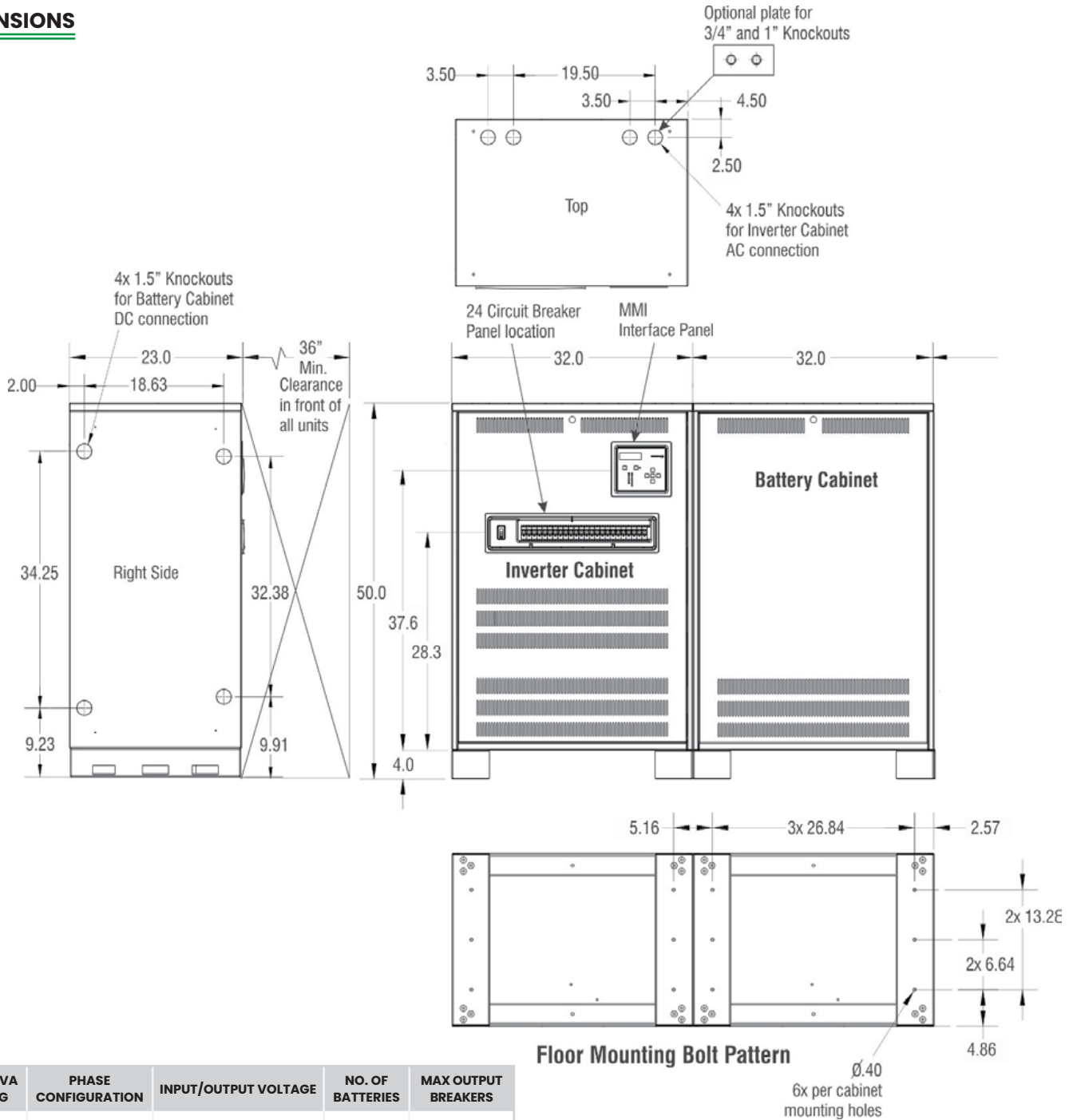


DIMENSIONS

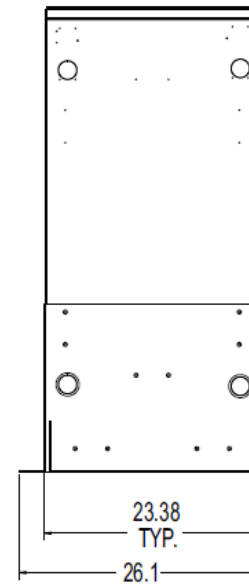
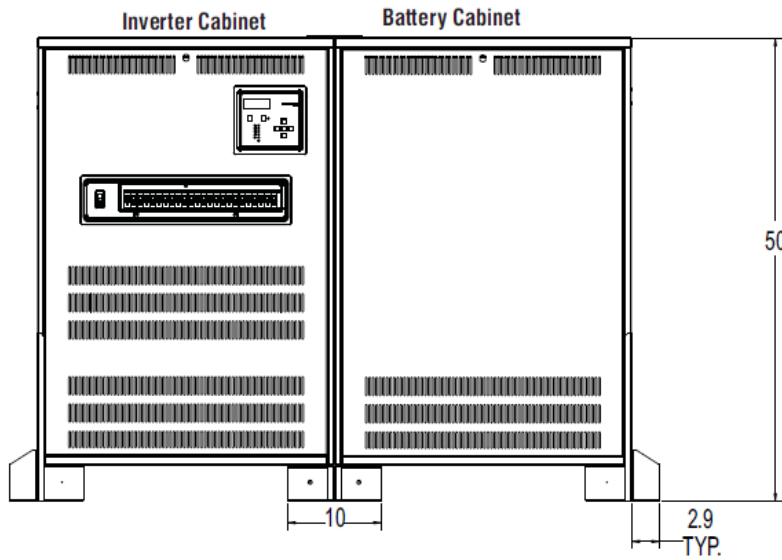
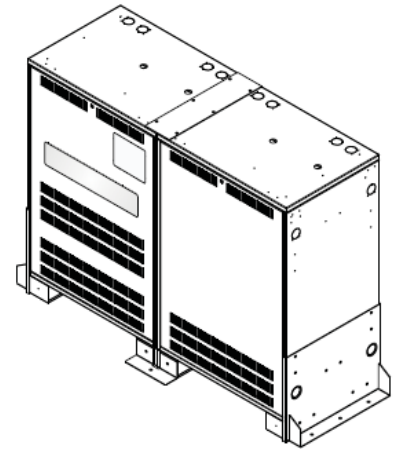
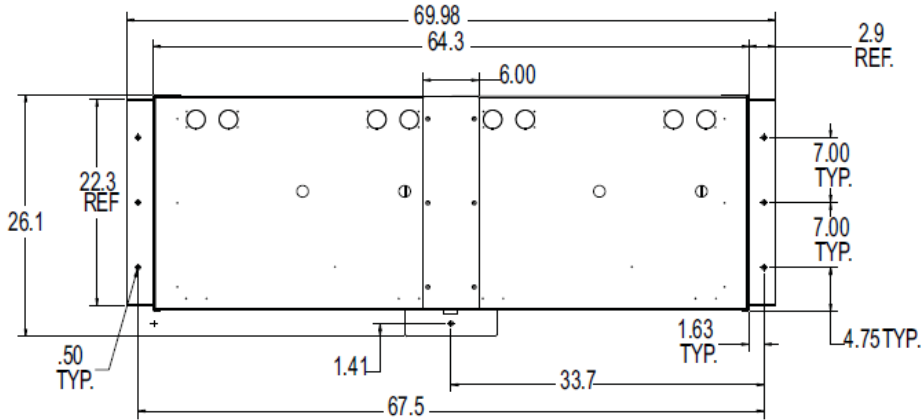


POWER VA RATING	PHASE CONFIGURATION	INPUT/OUTPUT VOLTAGE	NO. OF BATTERIES	MAX OUTPUT BREAKERS
4200W	2P	120V / 120V / 208V 277V / 277V / 480V	8	24
5200W			10	
6250W			12	
8250W			16	
10500W			20	
12500W			24	

NOTE: Breakers must be a multiple of two to ensure even load distribution.

DIMENSIONS

INVERTER WITH SEISMIC BRACKETS



DIMENSIONS

STACKED CONFIGURATION

