



LUCENTA

50' Photoluminescent Exit Sign

INSTALLATION AND OPERATING INSTRUCTION

Signs furnished with transparent backgrounds shall be installed only where there is adequate color contrast between the sign legend and the interior wall finish behind the sign, to provide for sufficient visibility.

IMPORTANT SAFEGUARDS

When using electrical equipment, basic safety precautions should always be followed including the following:

READ AND FOLLOW ALL SAFETY INSTRUCTIONS

1. Do not use outdoors.
2. Do not mount near gas or electric heaters.
3. Equipment should be mounted in locations and at heights where it will not readily be subject to tampering by unauthorized personnel.
4. The user of accessory equipment not recommended by the manufacturer may cause an unsafe condition.
5. Do not use this equipment for other than intended use.
6. Supply connections must be made either inside the junction box for surface mount or the splice box in the recessed mount backbox.
7. Install using recommended junction box only.
8. Servicing of this equipment should be performed by qualified service personnel.

SAVE THESE INSTRUCTIONS

IMPORTANT SAFEGUARDS

CAUTION: EXTERNAL ILLUMINATION SOURCE REQUIRED
MINIMUM 5 FOOTCANDLES (54 LUX) OF UNFILTERED FLUORESCENT ILLUMINATION MUST BE PRESENT ON THE SIGN FACE(S) AT ALL TIMES DURING BUILDING OCCUPANCY.

READ AND FOLLOW ALL SAFETY INSTRUCTIONS

Install LUCENTA photoluminescent EXIT signs only in locations, where an external illumination source is present and energized at all times, is deemed reliable and is supplied by a circuit not controlled by automatic timers or sensors, and whose controls are accessible only to authorized personnel. The sign should be charged for minimum 60 minutes to obtain full operation conditions. The sign should be mounted in a manner that ensures rigidity and mechanical sufficiency.

Should any changes in your external lighting types or lighting levels occur, confirm that the LUCENTA photoluminescent EXIT sign is still illuminated with minimum 5 foot candles (54 lux) of unfiltered fluorescent lighting.

Periodically clean the LUCENTA photoluminescent EXIT sign face(s) with a damp cloth. Do not use any thinners or solvents on the sign face(s).

Check with your applicable installation codes (such as NFPA 101 - Life Safety Code) to perform periodic visibility tests.

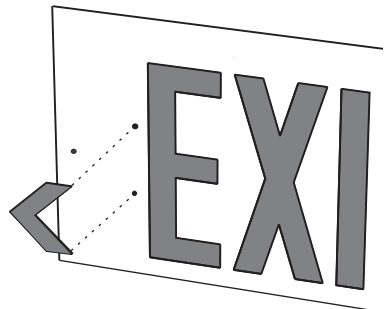
LUCENTA photoluminescent EXIT signs are intended for INDOOR use only. Do not expose to direct sunlight, liquid spray, or temperatures outside the range of 10 deg C - 40 deg C (50 deg F - 104 deg F).

SAVE THESE INSTRUCTIONS

INSTALLATION AND OPERATING INSTRUCTIONS

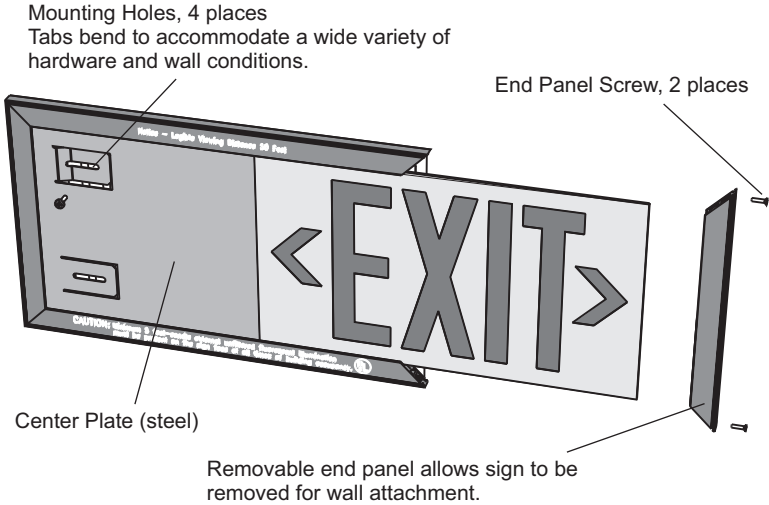
DIRECTIONAL INDICATORS

Two self-adhesive directional indicators are supplied with each sign. Small dots are provided to the left of the letter "E" and to the right of the letter "T" for alignment. Apply appropriate indicator(s) showing direction of travel to reach nearest exit.



BACK MOUNTING

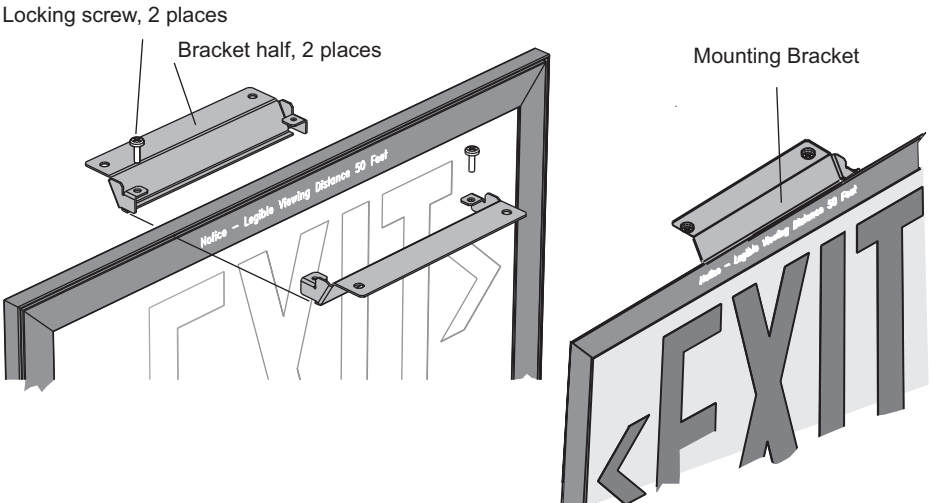
Remove two screws securing one end section of frame. Slide out both the photoluminescent panel and plastic back plate. The back plate can be discarded. Mark location of 4 mounting tab holes in steel divider plate and fasten LUCENTA exit sign securely to wall using screws and anchors supplied. Attach appropriate directional indicator(s) to photoluminescent panel, slide it back into frame and reattach end section.



END OR CEILING MOUNT

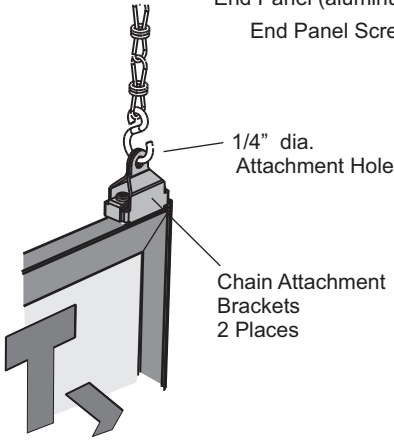
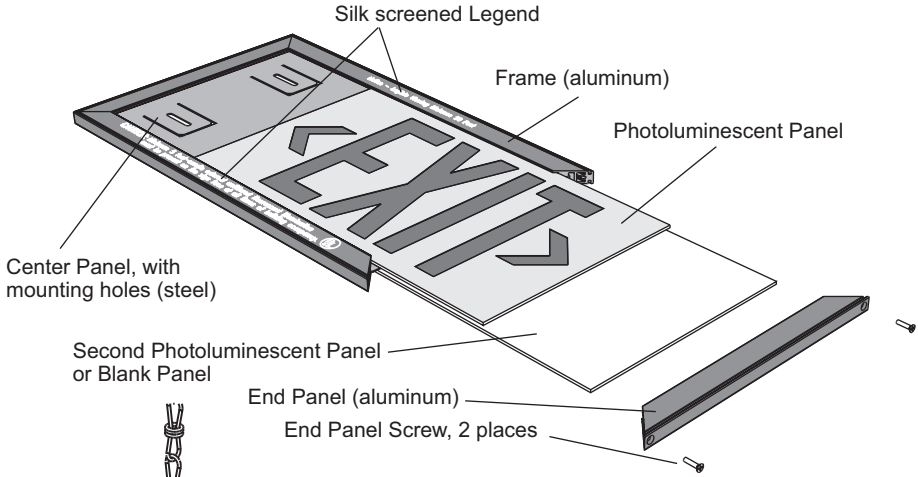
For end or ceiling mount, attach mounting bracket to either top section or end section of frame, with screws supplied. Mark location of 4 mounting holes and securely fasten the LUCENTA exit sign using screws and anchors supplied.

The two bracket halves slip into slots in the frame and are fastened together with the locking screws. As the locking screws are tightened against the frame, the bracket halves lock together to form a strong mechanical connection.



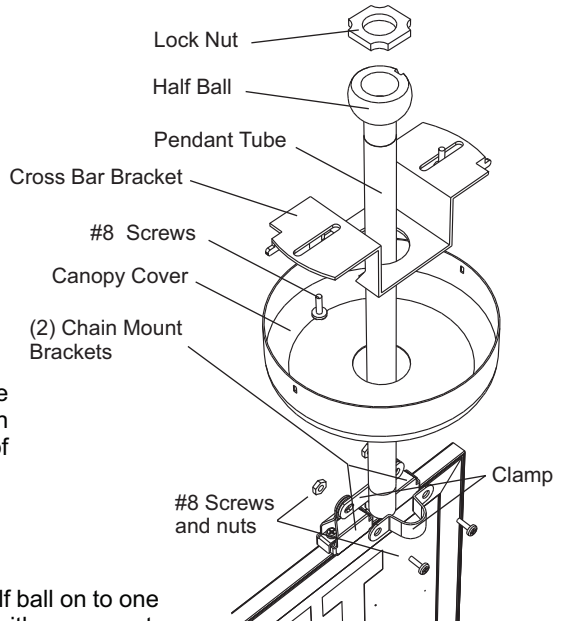
DOUBLE FACE SIGN

For double face installation, remove end section of frame as described above, discard plastic back plate and insert additional photoluminescent panel. Attach appropriate directional indicators to both panels and reattach end section.



CHAIN MOUNT OPTION

For applications where the sign is to be suspended by chains, attach 2 chain attachment brackets to top section of the frame using screws supplied.



PENDANT MOUNT OPTION

For Pendant Mount, thread tapped half ball on to one end of pendant tube and lock in place with square nut. Insert other end of pendant tube through cross bar bracket so half ball is inside hat section of bracket. Insert tube through center hole of canopy so that cross bar bracket is on inside. Clamp other end of tube to attachment bracket as shown.