

SENTRY CCDMR MASTER-REMOTE

Die-Cast Remote LED Exit Sign

The Sentry Master-Remote LED exit sign combines rugged construction with a stylish design, offering architectural quality that appeals to the most discerning eye. The Sentry Master feeds Razor low profile 5/8" surface mount or Sentry recessed remote sign, thereby maintaining matching appearance and ease of installation.



CONSTRUCTION

- Master - Remote operation with low voltage interconnect (Supplied by others)
- Low Profile Razor remote with RS cover, or Sentry recessed with polycarbonate face plate
- Maintenance free LED light source with 25+ years life expectancy
- Injection molded internal cavity reflector provides ease of installation and maintenance together with perfectly even legend illumination
- Two piece, thick wall construction from heavy duty die cast aluminum alloy, removable front stencil face with overlapping light seal
- Fine grain brushed aluminum stencil face standard. Other finishes available
- Field selectable chevron indicators
- Hidden knock out access points and universal pattern
- Low profile universal canopy for Master with cast 3/4" nipple and locking nuts
- Razor Remote only 5/8" thick surface mount with hidden mounting hardware is provided with RS polycarbonate security cover as standard
- Optional Recessed Sentry Remote comprises a quick fit old or new work recessing pan for the standard Sentry (same housing as master) with a trimmed 1/8" thick polycarbonate flush wall cover with tamper resistant hardware
- Single Face Master can also be ordered with a Recessing Kit "RE"

ELECTRICAL

- High intensity LED array provides exceptional energy efficiency with just 1-watt power consumption for both single and double face AC models.
- Battery backup models consume just 2.5 watts, .77 power factor

- 2 Hour battery backup runtime with premium long life high temperature fused Nickel Cadmium battery pack
- Self-Diagnostic Battery monitoring on all 'EM' models
- A diagnostic self-compensating constant current charger circuit monitors the condition of the battery pack and indicates via a flashing LED when battery needs replacing
- Electronic control circuit applies full wave, low ripple current to each LED thereby optimizing life and light output.
- Circuitry includes - Zero current LVCO, Brownout sensing & Line-Latch
- 120 or 277 VAC field selectable input on Master with quick install push-wire connectors

ILLUMINATION

- Vivid legend illumination approx. 4 times the minimum UL 924 requirement
- Spectrally matched fluorescent diffuser for superior visual brightness and uniformity

CERTIFICATION

- Tested, approved and listed by Underwriters Laboratories to UL 924, meets NFPA 101 Life Safety Code, NFPA 70- NEC, and OSHA requirements
- California Energy Commission (CEC) Title 20 Compliant
- Buy American Act compliant

WARRANTY

- 5 year limited warranty - view complete warranty terms online at www.evenlite.com/terms-warranty.
- Battery pro-rated

ORDERING GUIDE

CCDMR-EM-R-11-AB-CN-RR-F

MODEL	OPERATION	LETTER COLOR	FACE COUNT	BODY COLOR
CCDMR	AC AC Only (120/277 VAC)	R Red EXIT Master, Red EXIT Remote ¹	11 Single Face Master, Single Face Remote	AB Brushed Face, Black Body
	EM Battery Backup Emergency	G Green EXIT Master, Green EXIT Remote ¹	21 Double Face Master, Single Face Remote	BB All Black
			12 Single Face Master, Double Face Remote	WW All White
			22 Double Face Master, Double Face Remote	AA All Brushed Aluminum
				AW Brushed Aluminum, White Body
				CC Custom Color ²
CCDMR				

MOUNTING <i>Master</i>		REMOTE OPTIONS		ORDERING NOTES
1B Back Mount, No Canopy	PA 12" Swivel Pendant	RR Razor Surface Mount ⁶	BK All Black	
CN Canopy Mounting Kit ³	PB 24" Swivel Pendant	SR Sentry Recessed Mount	BA All Brushed Aluminum	
C1 Industrial Canopy ⁴	PC 36" Swivel Pendant	SS Sentry Surface Mount		
RE Recessing Frame ⁵	PD 48" Swivel Pendant	WH All White		

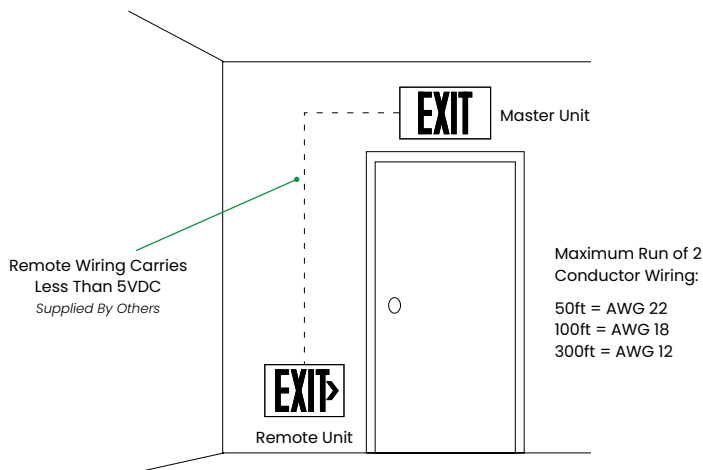
OPTIONS	
SD Self-Test/Self-Diagnostics ⁷	FZ [F] Option Including Buzzer
IR Infrared Remote Testing Receiver	M990010 Wire Guard
TLRT Infrared Remote Hand Held Transmitter ⁸	PC1 1/8" PC Faceplate, Master & Remote (Excludes Razor Remote) ¹²
DKV1 Dual Circuit Input, 120VAC ⁹	PM 1/8" PC Shield, Master Only ¹²
DKV2 Dual Circuit Input, 277VAC ⁹	PR 1/8" PC Face Shield, Remote SS Only ¹²
DL Damp Location	SA 6" Stencil Face Int'l Symbol of Accessibility, SS Only ¹³
F Flash in Emergency Mode ¹⁰	T2 Tamper Proof Screws, Master & Remote ¹⁴
FA Flash in AC and Emergency Mode ¹¹	TM Tamper Proof Screws, Master Only
FB [FA] Option Including Buzzer	TR Tamper Proof Screws, Remote Only ¹⁴

- 1 Master can also power a custom remote. Consult factory for details
- 2 Specify preference
- 3 Universal End/Ceiling
- 4 Includes 1/8" PC Shield (PM) option
- 5 Includes the Back Mount, No Canopy mount (1B)
- 6 Provided with RS security cover
- 7 EM models only
- 8 Order separately
- 9 AC models only
- 10 Flash in emergency mode (EM models) or continuous flash (AC models)
- 11 For 12-24V (AC or DC) normally-off fire alarm signal
- 12 Includes tamper proof screws (TP)
- 13 Add per face
- 14 Available on Sentry Surface Remote only

Fill in fields from categories above and complete type and part number.

Type No:	Full Part No:
----------	---------------

DIAGRAM



ADDITIONAL IMAGERY



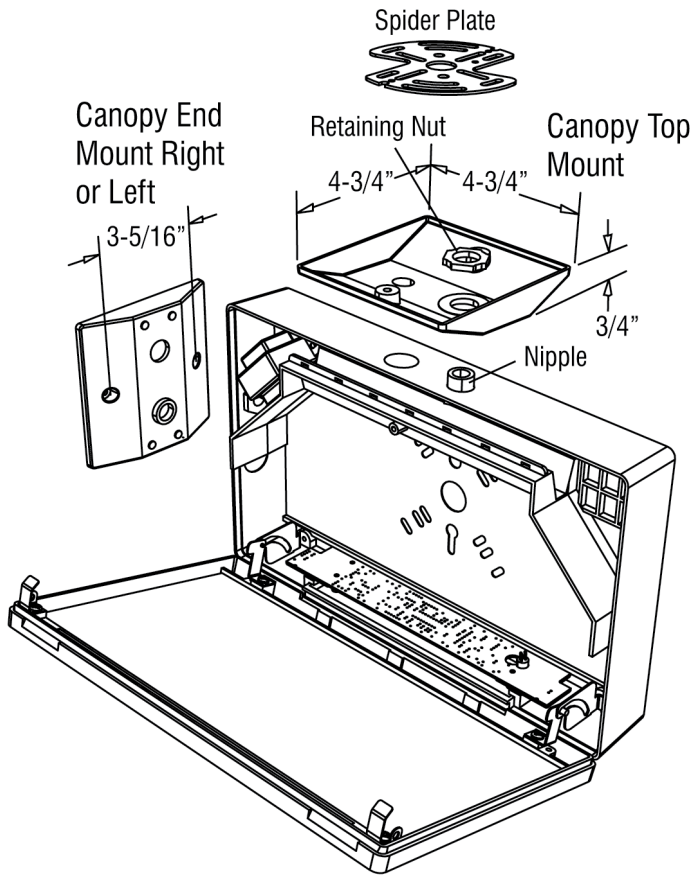
Master is available in single or double face in all mounting types.



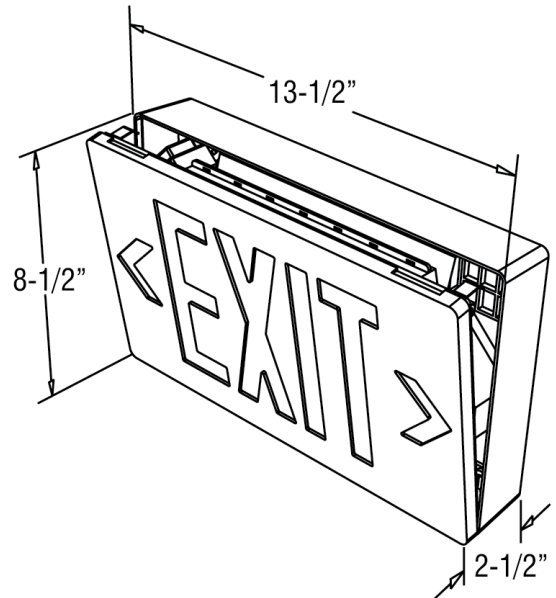
Remote unit chevrons are field removable.
Wall Mount Only



DIMENSIONS

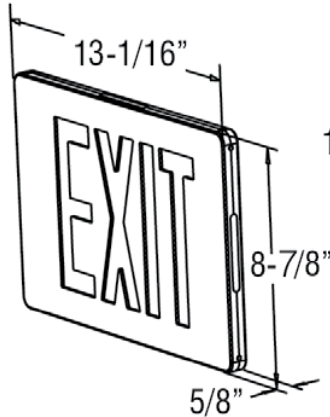


TOP & END MOUNTING

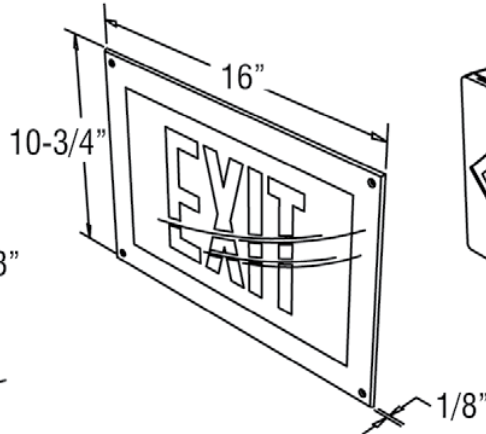


OPENING THE UNIT

RR - RZR Surf. Mt.



SR - Recessed Mt.



SS - Surface Mt.



REMOTE UNITS

For SR dimensions and mounting, see date sheet for CCDS-REC.