

INSTALLATION INSTRUCTIONS AND OWNER'S MANUAL

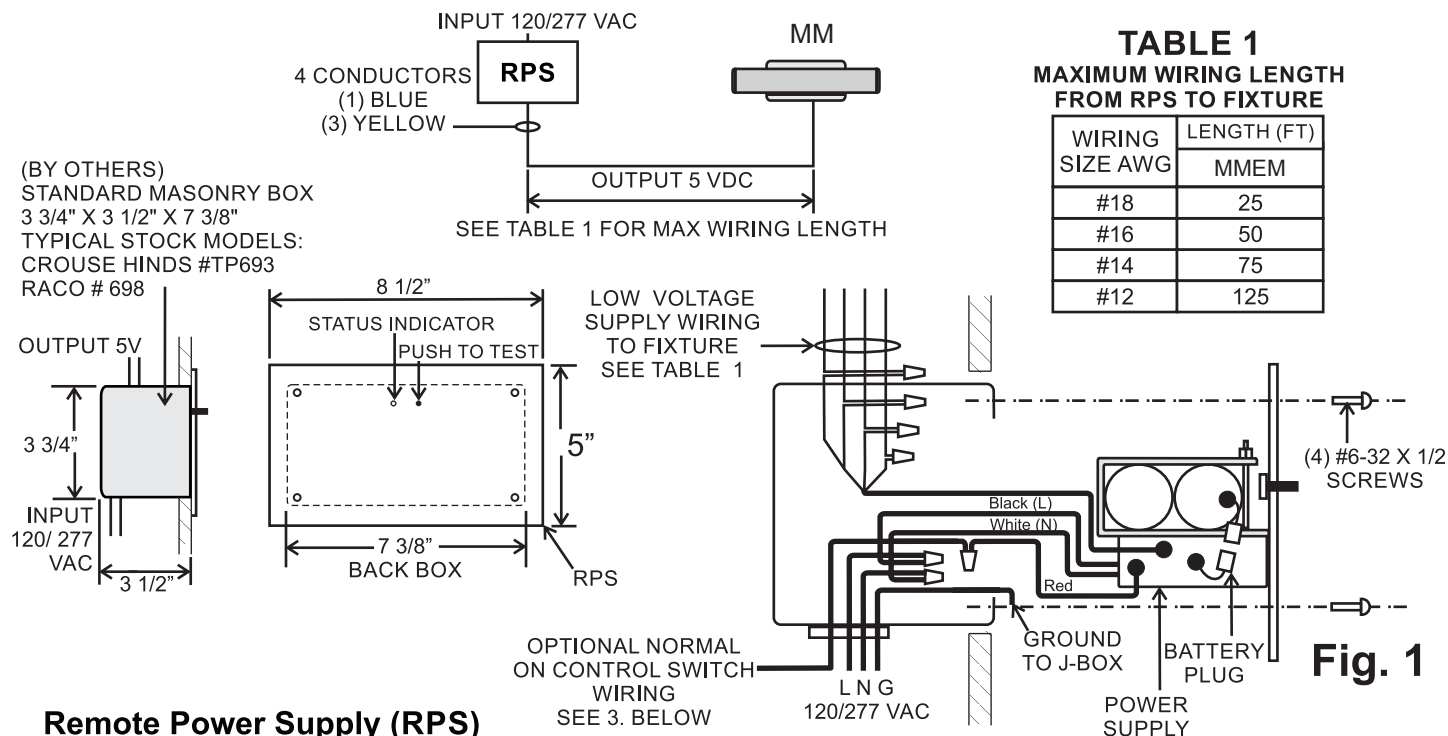
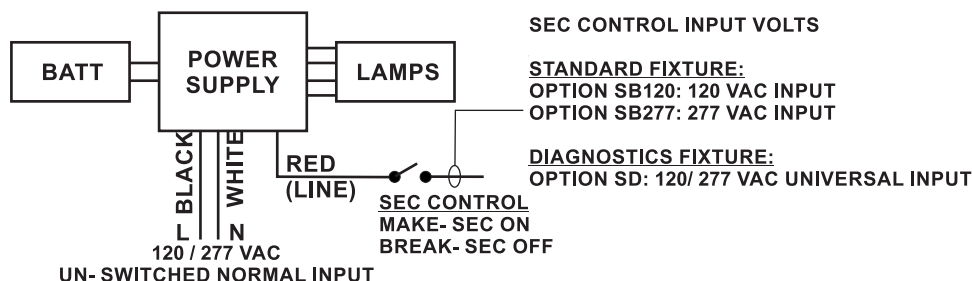


Fig. 1

Remote Power Supply (RPS)

- See Fig. 1. Place power supply assembly inside housing and note available knock-outs for wiring clearance. Remove suitable K.O's in areas with clearance for wiring and connectors. Use framing or brackets to install Masonry Box housing as shown, in a location convenient for access to battery and power supply. Align top edge flange flush with finished panel surface. See Table 1 to estimate wire size required based on maximum wiring length for low voltage output wiring from RPS to the fixture.
- INPUT WIRING:** Connect BLACK/WHITE AC input wiring to building supply with wire nuts, and connect GROUND to Housing with Screw mount.
- SECURITY LIGHTING SWITCH CONTROL (OPTION -SB or SD)**



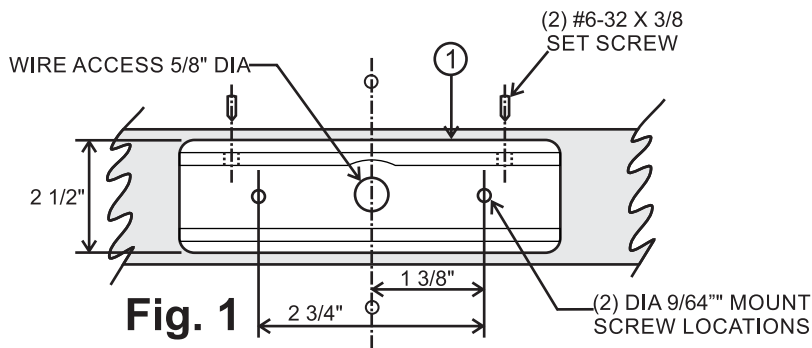
- OUTPUT LOW VOLTAGE WIRING*:** See Table 1 for minimum wire size based on distance to fixture. Example using #20 AWG, max distance is 100 ft. See Pg. 2 for detail. Route conductors from the RPS to the fixture location.
- Connect the BATTERY plug: NOTE If AC power is OFF, the fixture will turn ON under battery power. To minimize battery discharge, turn AC power ON after fixture is connected, or disconnect battery.

IMPORTANT SAFEGUARDS READ AND FOLLOW ALL SAFETY INSTRUCTIONS

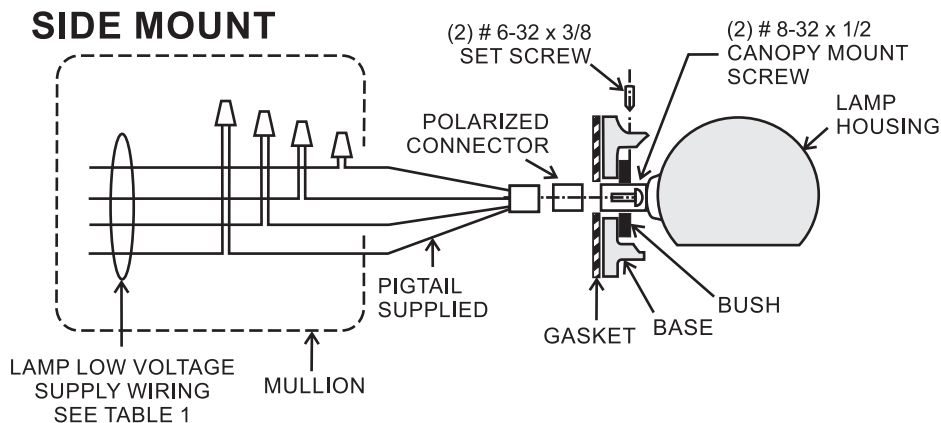
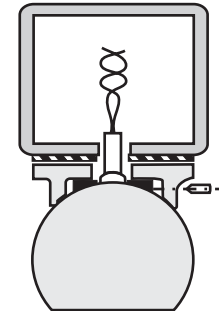
- Disconnect AC power before servicing.
- Refer to wiring diagram for proper connections.
- All servicing should be performed by qualified personnel.
- Consult your local building code for approved wiring and installation.
- Do not use this equipment for other than intended use.
- Do not let power cords touch hot surfaces.
- Mount and secure the fixture at a location and height to avoid ready access and tampering by unauthorized persons.
- The use of accessory equipment is not recommended by the manufacturer and may cause an unsafe condition.
- Suitable for wet locations. See product label for temperature limitations.

SAVE THESE INSTRUCTIONS

INSTALLATION INSTRUCTIONS AND OWNER'S MANUAL



TOP MOUNT (OPTION)



SUITABLE FOR WET LOCATIONS

AMBIENT TEMPERATURE LIMITS:
Standard "EM" models: -20° C to +40° C
Remote models: -40° C to +50° C

Fixture Assembly

1. See Fig 1. Drill 5/8" dia wire access hole and (2) 9/64" dia (or suitable tapping size) mount screw holes in the mullion beam at center of selected fixture location.
2. Loosen (2) #6-32 set screws, release lamp housing from base.
3. Attach base to mullion with (2) #8 screws (not supplied). Tighten evenly on gasket.
4. Route low voltage supply wiring through mullion and attach lamp plug pigtail (supplied) to supply wiring with wire nuts.

MAINTAIN COLOR CODES AT CONNECTOR:

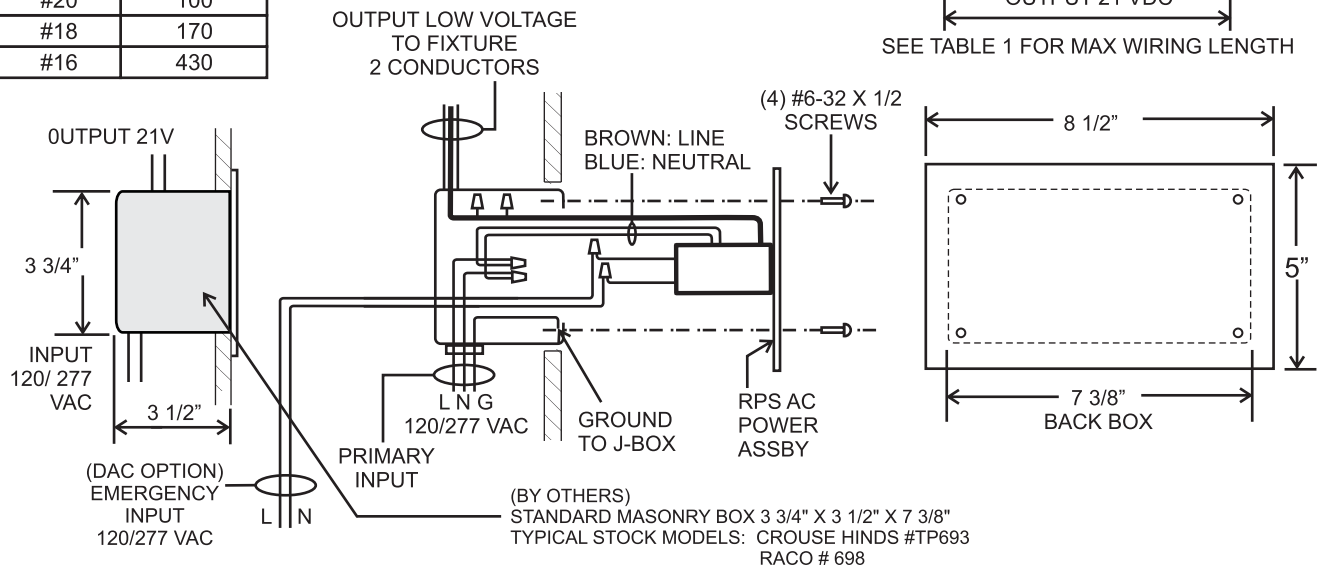
YELLOW+ Positive, BLUE- Negative.

5. Attach polarized lamp plug on pigtail, insert wiring and lamp plug into mullion.
6. Secure lamp housing on the base with (2) set screws.
7. Turn AC power ON with battery connected at the RPS or central battery system, press the PUSH TO TEST button to check operation. Full battery charge requires 24 hrs.

INSTALLATION INSTRUCTIONS AND OWNER'S MANUAL

TABLE 1
MAXIMUM WIRING LENGTH
FROM RPS TO FIXTURE

WIRING SIZE AWG	LENGTH (FT)
	MMAC
#20	100
#18	170
#16	430



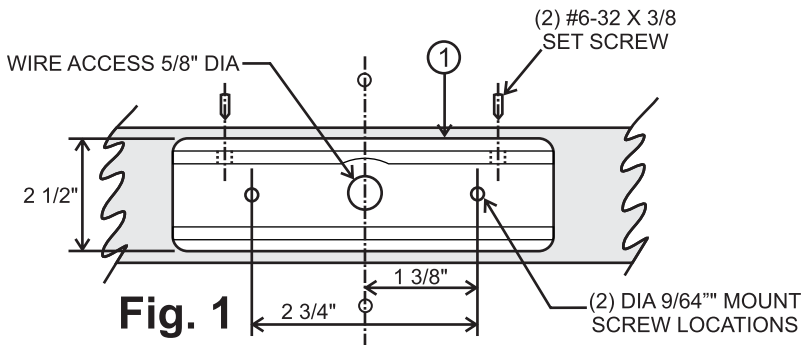
Remote Power Supply (RPS)

1. Use framing or brackets to install Masonry Box housing as shown, in a location convenient for access to battery and power supply. Align top edge flange flush with finished panel surface. See Table 1 to estimate wire size required based on maximum wiring length for low voltage output wiring from RPS to the fixture.
2. **INPUT WIRING:** Connect 120/277 AC input wiring to building supply with wire nuts, and connect GROUND to Housing with Screw mount.
3. **(OPTIONAL) DUAL AC INPUT:** Connect 120/277 AC emergency input wiring with wire nuts.
4. **OUTPUT LOW VOLTAGE WIRING:** Connect output wiring to fixture. See Table 1 for minimum wire size based on distance to fixture. Example using #20 AWG, max distance is 100 ft. Route two conductors from the RPS to the fixture location. See Pg 2 for connection to fixture. **MAINTAIN YELLOW & BLUE COLOR CODES**
5. Turn AC power ON after fixture is connected and check lamp operation.

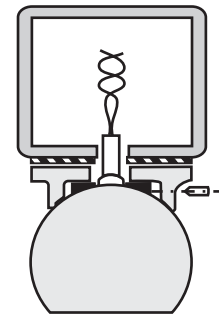
IMPORTANT SAFEGUARDS READ AND FOLLOW ALL SAFETY INSTRUCTIONS

1. Disconnect AC power before servicing.
2. Refer to wiring diagram for proper connections.
3. All servicing should be performed by qualified personnel.
4. Consult your local building code for approved wiring and installation.
5. Do not use this equipment for other than intended use.
6. Do not let power cords touch hot surfaces.
7. Mount and secure the fixture at a location and height to avoid ready access and tampering by unauthorized persons.
8. The use of accessory equipment is not recommended by the manufacturer and may cause an unsafe condition.
9. Suitable for wet locations. See product label for temperature limitations.

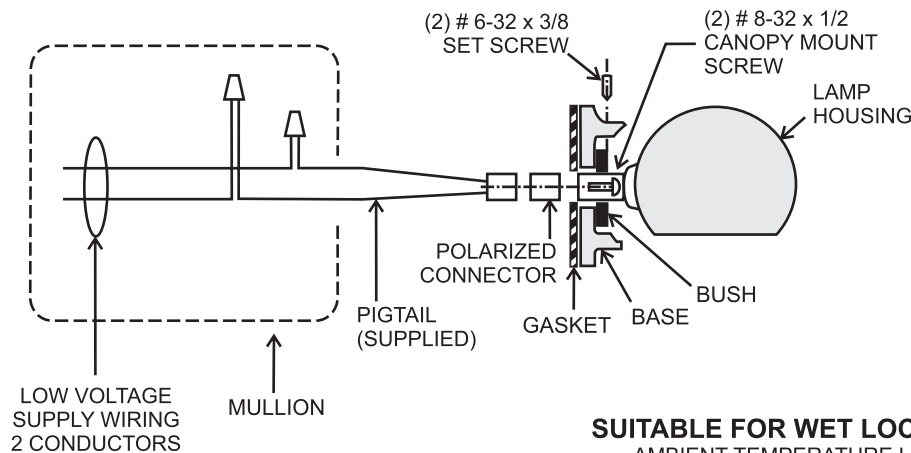
SAVE THESE INSTRUCTIONS



TOP MOUNT (OPTION)



SIDE MOUNT



SUITABLE FOR WET LOCATIONS

AMBIENT TEMPERATURE LIMITS:
Standard "EM" models: -20° C to +40° C
Remote models: -40° C to +50° C

Fixture Assembly

1. See Fig 1. Drill 5/8" dia wire access hole and (2) 9/64" dia (or suitable tapping size) mount screw holes in the mullion beam at center of selected fixture location.
2. Loosen (2) #6-32 set screws, release lamp housing from base.
3. Attach base to mullion with (2) #8 screws (not supplied). Tighten evenly on gasket.
4. Route low voltage supply wiring through mullion and attach lamp plug pigtail (supplied) to supply wiring with wire nuts.

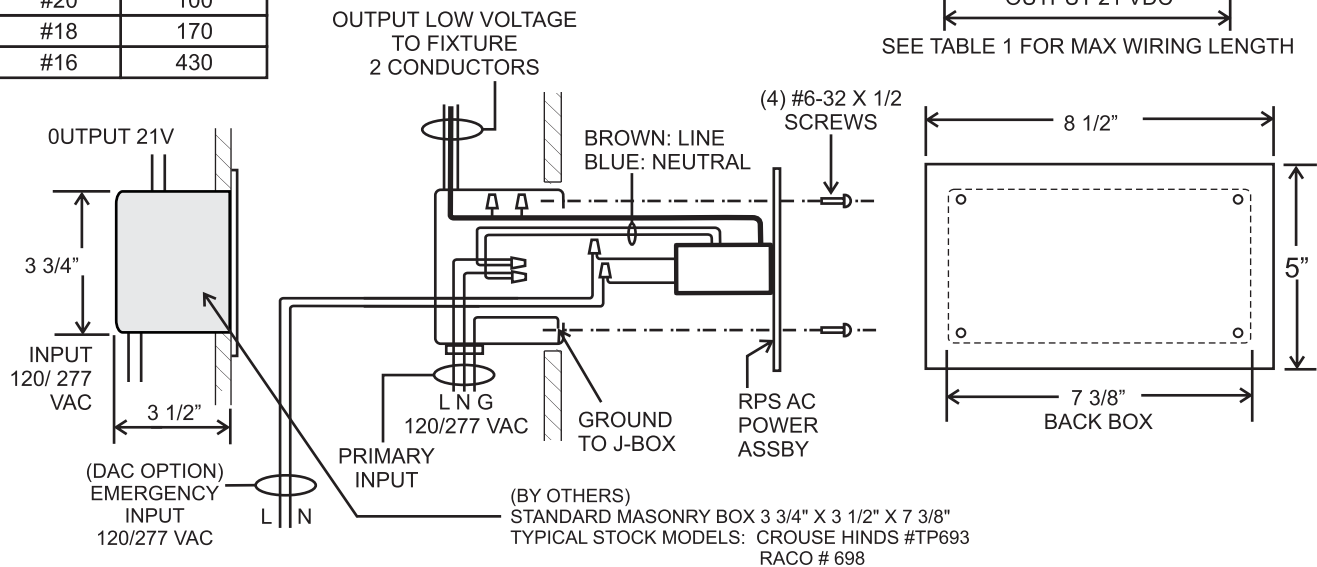
MAINTAIN COLOR CODES AT CONNECTOR: YELLOW +Positive, BLUE- Negative.

5. Attach polarized lamp plug on pigtail, insert wiring and lamp plug into mullion.
6. Secure lamp housing on the base with (2) set screws.
7. Turn AC power ON at RPS, to check the lamp operation.

INSTALLATION INSTRUCTIONS AND OWNER'S MANUAL

TABLE 1
MAXIMUM WIRING LENGTH
FROM RPS TO FIXTURE

WIRING SIZE AWG	LENGTH (FT)
	MMAC
#20	100
#18	170
#16	430



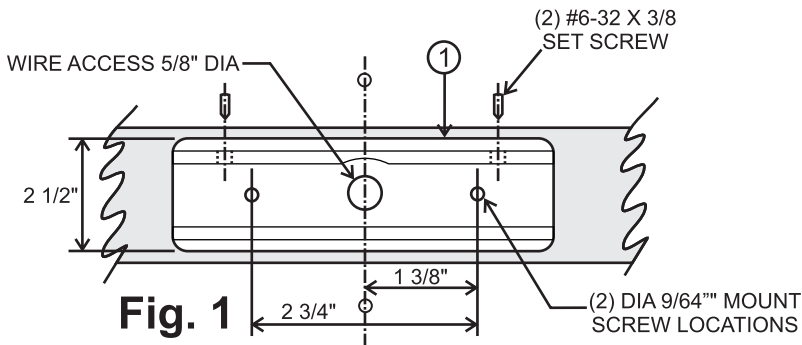
Remote Power Supply (RPS)

1. Use framing or brackets to install Masonry Box housing as shown, in a location convenient for access to battery and power supply. Align top edge flange flush with finished panel surface. See Table 1 to estimate wire size required based on maximum wiring length for low voltage output wiring from RPS to the fixture.
2. **INPUT WIRING:** Connect 120/277 AC input wiring to building supply with wire nuts, and connect GROUND to Housing with Screw mount.
3. **(OPTIONAL) DUAL AC INPUT:** Connect 120/277 AC emergency input wiring with wire nuts.
4. **OUTPUT LOW VOLTAGE WIRING:** Connect output wiring to fixture. See Table 1 for minimum wire size based on distance to fixture. Example using #20 AWG, max distance is 100 ft. Route two conductors from the RPS to the fixture location. See Pg 2 for connection to fixture. **MAINTAIN YELLOW & BLUE COLOR CODES**
5. Turn AC power ON after fixture is connected and check lamp operation.

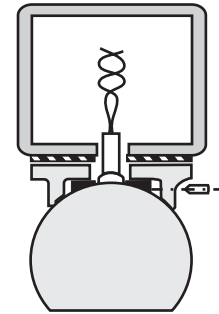
IMPORTANT SAFEGUARDS READ AND FOLLOW ALL SAFETY INSTRUCTIONS

1. Disconnect AC power before servicing.
2. Refer to wiring diagram for proper connections.
3. All servicing should be performed by qualified personnel.
4. Consult your local building code for approved wiring and installation.
5. Do not use this equipment for other than intended use.
6. Do not let power cords touch hot surfaces.
7. Mount and secure the fixture at a location and height to avoid ready access and tampering by unauthorized persons.
8. The use of accessory equipment is not recommended by the manufacturer and may cause an unsafe condition.
9. Suitable for wet locations. See product label for temperature limitations.

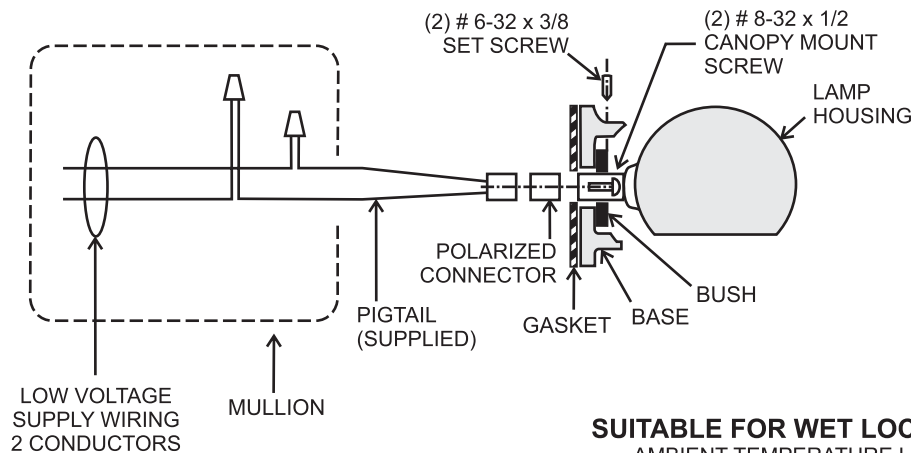
SAVE THESE INSTRUCTIONS



TOP MOUNT (OPTION)



SIDE MOUNT



SUITABLE FOR WET LOCATIONS

AMBIENT TEMPERATURE LIMITS:
Standard "EM" models: -20° C to +40° C
Remote models: -40° C to +50° C

Fixture Assembly

1. See Fig 1. Drill 5/8" dia wire access hole and (2) 9/64" dia (or suitable tapping size) mount screw holes in the mullion beam at center of selected fixture location.
2. Loosen (2) #6-32 set screws, release lamp housing from base.
3. Attach base to mullion with (2) #8 screws (not supplied). Tighten evenly on gasket.
4. Route low voltage supply wiring through mullion and attach lamp plug pigtail (supplied) to supply wiring with wire nuts.

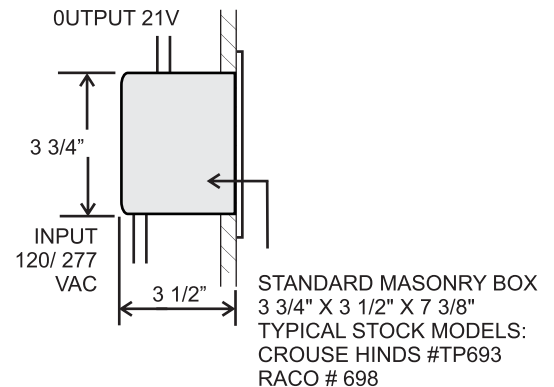
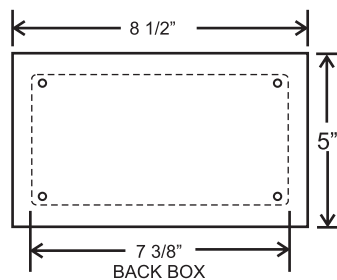
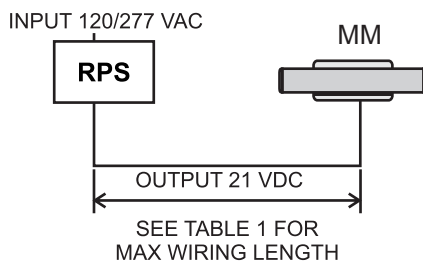
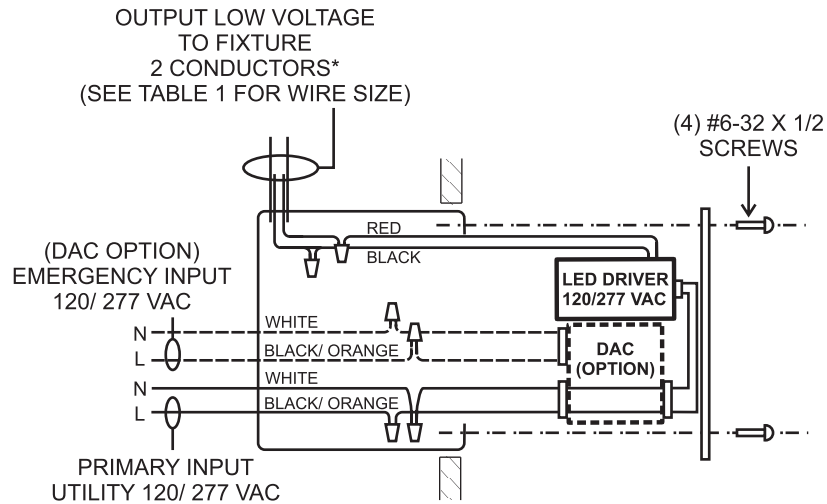
MAINTAIN COLOR CODES AT CONNECTOR: YELLOW +Positive, BLUE- Negative.

5. Attach polarized lamp plug on pigtail, insert wiring and lamp plug into mullion.
6. Secure lamp housing on the base with (2) set screws.
7. Turn AC power ON at the RPS, to check the lamp operation.

INSTALLATION INSTRUCTIONS AND OWNER'S MANUAL

TABLE 1
MAXIMUM WIRING LENGTH
FROM RPS TO FIXTURE

WIRING SIZE AWG	LENGTH (FT)
	MM20AC
#20	100
#18	170
#16	430



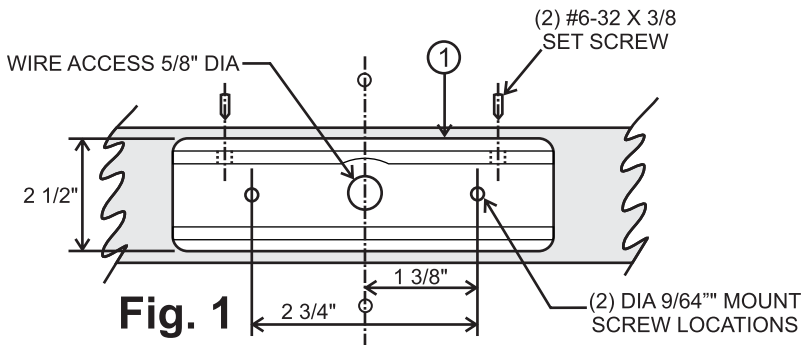
Remote Power Supply (RPS)

1. Use framing or brackets to install Masonry Box housing as shown, in a location convenient for access to battery and power supply. Align top edge flange flush with finished panel surface. See Table 1 to estimate wire size required based on maximum wiring length for low voltage output wiring from RPS to the fixture.
2. INPUT WIRING: Connect 120/277 AC input wiring to building supply with wire nuts, and connect GROUND to Housing with Screw mount.
3. OUTPUT LOW VOLTAGE WIRING: Connect output wiring to fixture. See Table 1 for minimum wire size based on distance to fixture.
4. Turn AC power ON after fixture is connected and check lamp operation.

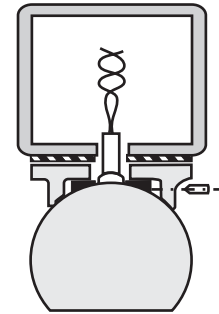
IMPORTANT SAFEGUARDS READ AND FOLLOW ALL SAFETY INSTRUCTIONS

1. Disconnect AC power before servicing.
2. Refer to wiring diagram for proper connections.
3. All servicing should be performed by qualified personnel.
4. Consult your local building code for approved wiring and installation.
5. Do not use this equipment for other than intended use.
6. Do not let power cords touch hot surfaces.
7. Mount and secure the fixture at a location and height to avoid ready access and tampering by unauthorized persons.
8. The use of accessory equipment is not recommended by the manufacturer and may cause an unsafe condition.
9. Suitable for wet locations. See product label for temperature limitations.

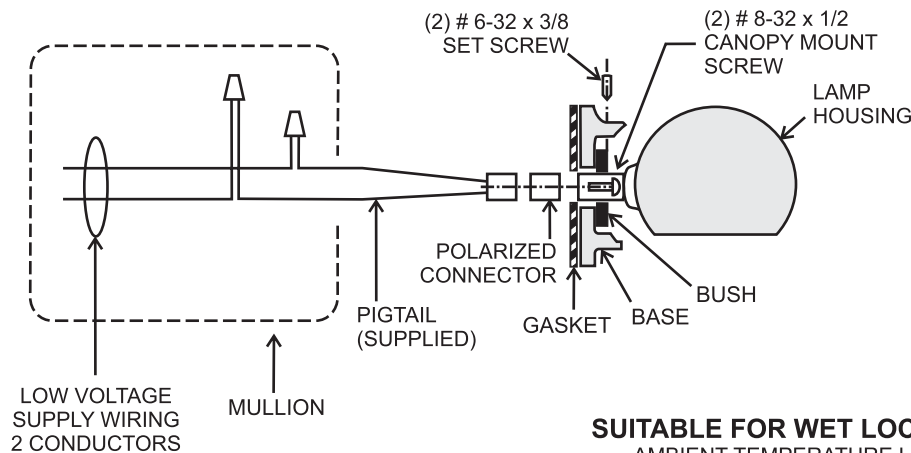
SAVE THESE INSTRUCTIONS



TOP MOUNT (OPTION)



SIDE MOUNT



SUITABLE FOR WET LOCATIONS

AMBIENT TEMPERATURE LIMITS:
Standard "EM" models: -20° C to +40° C
Remote models: -40° C to +50° C

Fixture Assembly

1. See Fig 1. Drill 5/8" dia wire access hole and (2) 9/64" dia (or suitable tapping size) mount screw holes in the mullion beam at center of selected fixture location.
2. Loosen (2) #6-32 set screws, release lamp housing from base.
3. Attach base to mullion with (2) #8 screws (not supplied). Tighten evenly on gasket.
4. Route low voltage supply wiring through mullion and attach lamp plug pigtail (supplied) to supply wiring with wire nuts.

MAINTAIN COLOR CODES AT CONNECTOR: RED +Positive, BLACK- Negative.

5. Attach polarized lamp plug on pigtail, insert wiring and lamp plug into mullion.
6. Secure lamp housing on the base with (2) set screws.
7. Turn AC power ON at the RPS, to check operation.