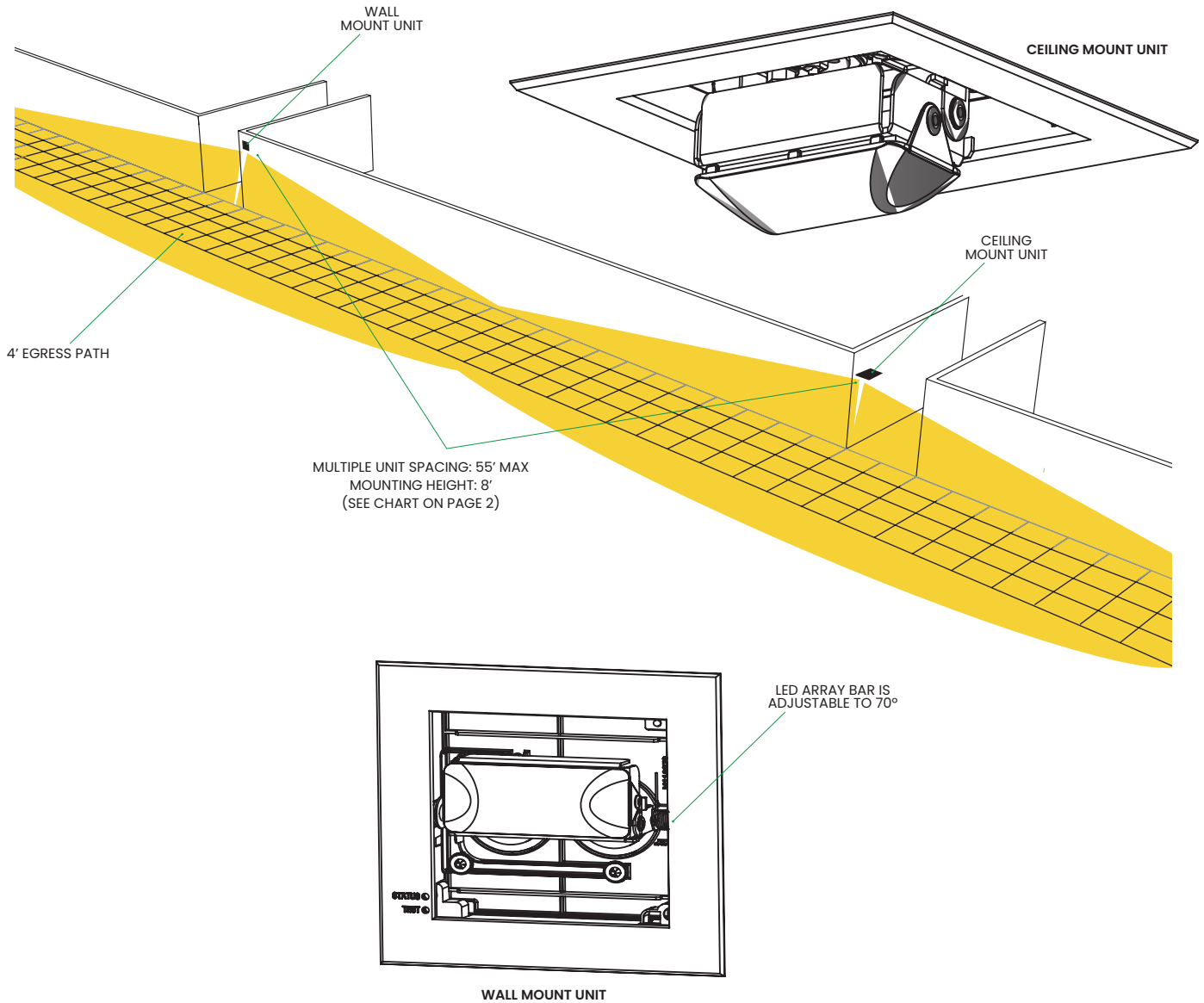


ARCHITECTURAL RECESSED

CEILING & WALL MOUNT APPLICATIONS



NOTES

Compliance with the Life Safety Code NFPA 101, Section 7.9.2.1 requires even illumination over a specified area of 1.0 fc average with a minimum illumination of 0.1 fc at any point and a ratio of not more than 40 to 1.

To meet this requirement, Aperiion uses three RoHS-compliant, long-life, high-brightness white LEDs to provide significant area coverage in a small package. A custom-designed precision refractor provides even coverage over a wide area.

US Patent #7,654,710

RECOMMENDED CENTER TO CENTER UNIT SPACING APERION LED LAMPS

WALL MOUNT – CORRIDOR LIGHTING			
CEILING HEIGHT	MOUNTING HEIGHT	4' PATH SPACING	6' PATH SPACING
9'	7'	55'	52.5'
10'	8'	50'	50'
12'	10'	45'	40'
14'	12'	35'	35'
16'	14'	30'	30'

WALL MOUNT – 200' X 200' OPEN ROOM			
CEILING HEIGHT	MOUNTING HEIGHT	4' PATH SPACING	6' PATH SPACING
9'	7'	50'	47.5'
10'	8'	42.5'	42.5'
12'	10'	35'	35'
14'	12'	27.5'	27.5'
16'	14'	22.5'	22.5'

CEILING MOUNT – CORRIDOR LIGHTING			
CEILING HEIGHT	MOUNTING HEIGHT	4' PATH SPACING	6' PATH SPACING
8'	8'	55'	52.5'
9'	9'	50'	47.5'
10'	10'	45'	45'
12'	12'	35'	35'
14'	14'	30'	30'

WALL MOUNT – 200' X 200' OPEN ROOM			
CEILING HEIGHT	MOUNTING HEIGHT	4' PATH SPACING	6' PATH SPACING
8'	8'	42.5'	42.5'
9'	9'	37.5'	37.5'
10'	10'	32.5'	32.5'
12'	12'	27.5'	27.5'
14'	14'	20'	20'

NOTES

- Tables and Photometrics independently tested and compiled by ITL Boulder Testing Laboratories for Evenlite LED Aperion.
- Recommended spacings based on requirements for meeting the Life Safety Standard minimum illuminance of 0.1 fc and average illuminance of 1.0 fc.
- Assumes reflectance factors of 80/50/20 over 4 ft or 6 ft path of egress.
- Note: Recommended spacings calculated from laboratory data taken under controlled conditions in accordance with I.E.S. approved methods. Actual performance results will vary due to field conditions.
- I.E.S. data is available from Evenlite Inc.