

TELESIS TCL

Contemporary LED Emergency Light

The Telesis TCL provides high performance in a low profile contemporary housing that complements most interior applications. The TCL meets CEC California Title 20 energy code requirements. The TCL is engineered for Quick fit easy installation and maintenance free reliability. The 2 watt LED lamps provide 125 lumens each for superior spacing. Long lamp life (up to 100,000 hours) with very low power consumption.



CONSTRUCTION

- Compact low profile contemporary design provides
- Injection molded, high impact thermoplastic housing in a white finish
- Knock out mounting pattern on back plate and top conduit entry provides quick installation
- Snap-fit housing suitable for Wall or Ceiling mount
- Maximum mounting height: TCL1W = 15ft, TCL2 / TCL4 = 26ft
- Combined momentary test switch and AC status indicator provided for ease of testing

ELECTRICAL

- TCL1 and TCL2 feature a 3.6V Nickel Cadmium (Ni-Cad) with an operating ambient temperature range of 10°C to 40°C (50°F to 104°F)
- TCL4 features a 3.6V Nickel Metal Hydride (Ni-Mh) with an operating ambient temperature range of 10°C to 40°C (50°F to 104°F)
- TCL4 is remote-capable, features a 3.6V, 2W output, and can power up to two 1-watt LED lamp heads or be configured for extended runtime
- Available with optional full Self-Test / Self-Diagnostics
- Field selectable 120 or 277 VAC 60 HZ
- Line-latch prevents unnecessary discharge of battery during installation, loads will not illuminate until after application of utility power
- Low voltage cut-off prevents battery damage and ensures positive charge acceptance following an extended discharge
- Brownout sensing assures emergency operation during periods of low line voltage
- Fully automatic, solid state, two-rate charger will recharge battery per UL 924 requirements
- Damp location environmentally coated circuitry provided as standard

ILLUMINATION

- TCL2 & TCL4 feature two fully adjustable High Brightness 2 Watt LED Heads each producing 150 lumens
- TCL1 feature two fully adjustable 1 Watt LED heads each producing 110 lumens
- Optional single or double, indoor or outdoor remote heads are available, with 3.6V 1 Watt 100 lumens LEDs

ILLUMINATION CHART

PRODUCT	HEAD WATTAGE	LUMENS PER HEAD	TOTAL LUMENS
TCL1	1W	110 Lumens	220 Lumens Total
TCL2	2W	150 Lumens	300 Lumens Total
TCL4	2W	150 Lumens	300 Lumens Total

CERTIFICATION

- UL 924 Listed, meets NFPA101 Life Safety Code, NFPA 70-NEC, and OSHA requirements
- California Title 20 Certified

WARRANTY

- 3 year limited warranty- view complete warranty terms online at www.evenlite.com/terms-warranty.

ACCESSORY

VANDAL SHIELD (TCVS)



ORDERING GUIDE

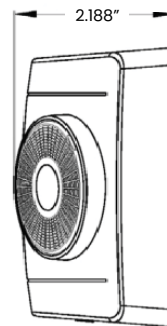
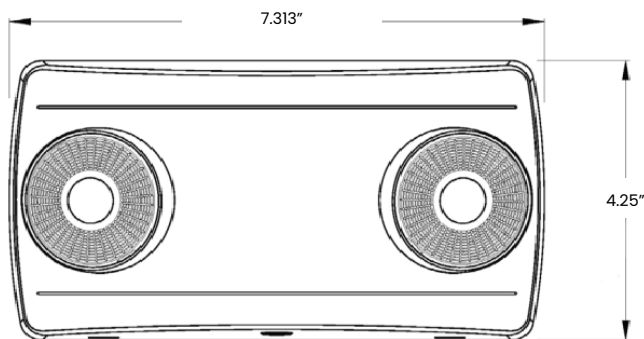
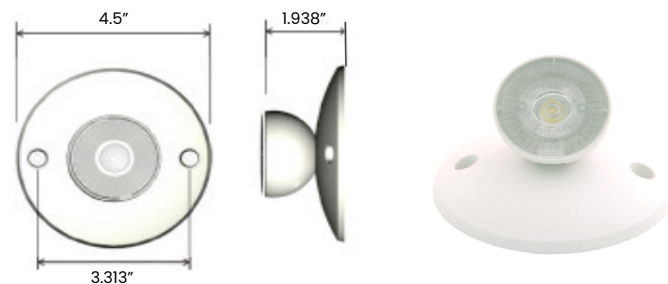
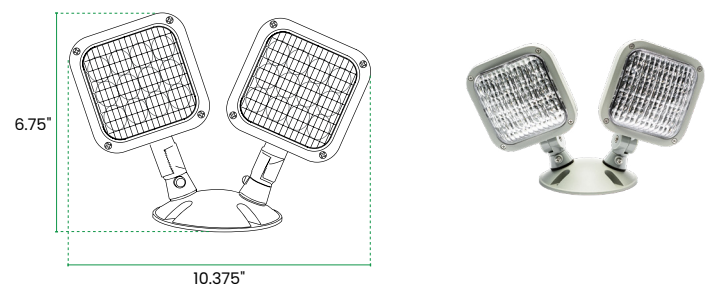
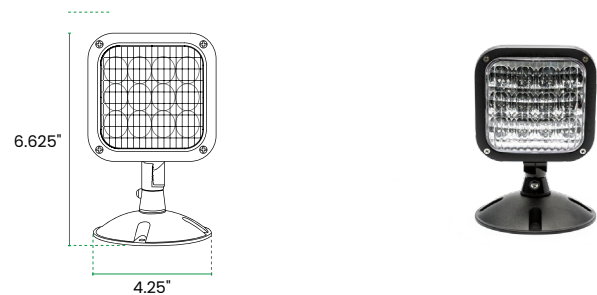
TCL2-W-SD

MODEL	BATTERY CAPACITY	HOUSING COLOR	OPTIONS	ORDERING NOTES
TCL	1 1 Watt LED Head, No Remote ¹	W White ⁴	SD Self-Test / Self-Diagnostics ⁶	1 Only available in white 2 Nickel cadmium battery, 90 minute operation with no remote capability 3 Nickel metal hydride battery, 90 minute operation with 2W remote capability 4 Standard color 5 Only available when Battery Capacity 4 and SD are selected 6 Only available with TCL4 7 Order separately 8 NEMA 4X and IP65 rated
	2 2 Watt LED Heads, No Remote ²		B Black ⁵	
	4 2 Watt LED Heads, Remote Capability ³	TCRH2 Double Indoor Remote Head ⁷		
			PRWLED1-MV Single Outdoor Remote Head ⁷	
TCL			PRWLED2-MV Double Outdoor Remote Head ⁷	
			TCVS Polycarbonate Vandal Shield ⁸	

Fill in fields from categories above and complete type and part number.

Type No:

Full Part No:

DIMENSIONS
TCL

INDOOR REMOTE HEAD

OUTDOOR REMOTE HEAD


SPACING GUIDE

TCL1 WALL MOUNT – ENCLOSED CORRIDOR

Room Dimensions: 200' x 6' x Ceiling Height
 Reflectance: 80% (Ceiling) | 50% (Wall) | 20% (Floor)
 Path of Egress: 6' Wide

MOUNTING HEIGHT	CEILING HEIGHT	SPACING CENTER TO CENTER	ROTATION TILT / ROLL	NFPA 101 REQUIREMENTS		
				AVERAGE $\geq 1.0 F_c$	MINIMUM $\geq 0.1 F_c$	MAXIMUM / MINIMUM $\leq 40:1$
7.5'	9'	29'	40° / 10°	1.00 Fc	0.22 Fc	17.14 Fc
9'	11'	26'	40° / 10°	1.02 Fc	0.37 Fc	7.08 Fc
10'	12'	25'	40° / 10°	1.01 Fc	0.36 Fc	6.11 Fc
12'	14'	23'	35° / 10°	1.03 Fc	0.38 Fc	4.92 Fc
14'	16'	22'	30° / 11°	1.00 Fc	0.42 Fc	3.86 Fc
16'	18'	20'	25° / 13°	1.00 Fc	0.49 Fc	3.02 Fc

TCL1 WALL MOUNT – OPEN ROOM MAXIMUM

Room Dimensions: 200' x 30' High Mounting Wall
 Reflectance: 0% (Ceiling) | 50% (Wall) | 20% (Floor)
 Path of Egress: 6' Wide

MOUNTING HEIGHT	CEILING HEIGHT	SPACING CENTER TO CENTER	ROTATION TILT / ROLL	NFPA 101 REQUIREMENTS		
				AVERAGE $\geq 1.0 F_c$	MINIMUM $\geq 0.1 F_c$	MAXIMUM / MINIMUM $\leq 40:1$
7.5'	-	26'	35° / 10°	1.00 Fc	0.14 Fc	31.00 Fc
9'	-	25'	30° / 11°	1.01 Fc	0.18 Fc	19.06 Fc
10'	-	25'	25° / 13°	1.00 Fc	0.15 Fc	20.40 Fc
12'	-	22'	20° / 15°	1.02 Fc	0.22 Fc	10.59 Fc
14'	-	19'	20° / 15°	1.03 Fc	0.41 Fc	4.29 Fc
16'	-	16'	20° / 15°	1.05 Fc	0.49 Fc	3.10 Fc

TCL2 & TCL4 WALL MOUNT – ENCLOSED CORRIDOR

Room Dimensions: 200' x 6' x Ceiling Height
 Reflectance: 80% (Ceiling) | 50% (Wall) | 20% (Floor)
 Path of Egress: 6' Wide

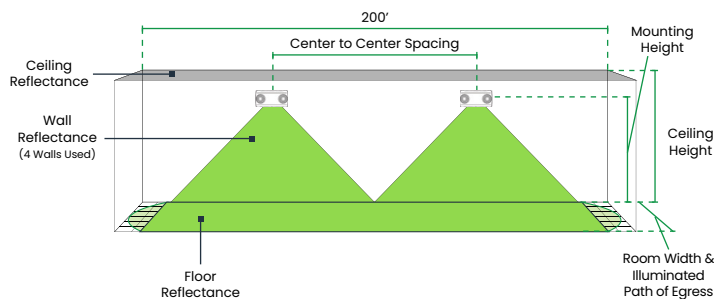
MOUNTING HEIGHT	CEILING HEIGHT	SPACING CENTER TO CENTER	ROTATION TILT / ROLL	NFPA 101 REQUIREMENTS		
				AVERAGE $\geq 1.0 F_c$	MINIMUM $\geq 0.1 F_c$	MAXIMUM / MINIMUM $\leq 40:1$
7.5'	9'	35'	40° / 10°	1.02 Fc	0.16 Fc	26.31 Fc
9'	11'	33'	35° / 10°	1.01 Fc	0.19 Fc	18.05 Fc
10'	12'	32'	35° / 10°	1.00 Fc	0.25 Fc	11.12 Fc
12'	14'	31'	25° / 13°	1.00 Fc	0.20 Fc	12.60 Fc
14'	16'	27'	25° / 13°	1.02 Fc	0.37 Fc	5.08 Fc
16'	18'	24'	25° / 13°	1.02 Fc	0.57 Fc	2.72 Fc

TCL2 & TCL4 WALL MOUNT – OPEN ROOM MAXIMUM

Room Dimensions: 200' x 30' High Mounting Wall
 Reflectance: 0% (Ceiling) | 50% (Wall) | 20% (Floor)
 Path of Egress: 6' Wide

MOUNTING HEIGHT	CEILING HEIGHT	SPACING CENTER TO CENTER	ROTATION TILT / ROLL	NFPA 101 REQUIREMENTS		
				AVERAGE $\geq 1.0 F_c$	MINIMUM $\geq 0.1 F_c$	MAXIMUM / MINIMUM $\leq 40:1$
7.5'	-	31'	40° / 10°	1.00 Fc	0.15 Fc	27.20 Fc
9'	-	29'	35° / 10°	1.02 Fc	0.20 Fc	16.55 Fc
10'	-	29'	30° / 11°	1.01 Fc	0.18 Fc	17.22 Fc
12'	-	27'	20° / 15°	1.01 Fc	0.15 Fc	17.73 Fc
14'	-	23'	20° / 15°	1.03 Fc	0.31 Fc	6.26 Fc
16'	-	20'	20° / 15°	1.03 Fc	0.52 Fc	3.02 Fc

ENCLOSED CORRIDOR



OPEN ROOM

