

# RAZOR MK3 CUSTOM GRAPHICS

## Ultra-Thin Die-Cast LED Custom-Wording Sign

The RAZOR MK3 Custom is the ultimate in low profile, unobtrusive custom graphics signs. Utilizing the Razor Exit sign components with an open face insert a wide variety of custom graphics can be applied. Only 5/8" thin, the Razor die cast aluminum sign utilizes the latest low energy, long life LED light sources. The legend colors can be Red, Green, or Blue, while the background can be White, Black, or Custom to order.



### CONSTRUCTION

- Razor thin Die Cast Aluminum LED open face sign with recessed power supply to fit standard 4" J-box
- Thick wall construction from heavy duty die cast aluminum alloy
- Fine grain brushed aluminum, pure white or black finishes to order, other finishes are available
- Field selectable knockout chevron directional indicators
- Injection molded 3mm light guide produces vivid illumination
- Unique snap fit housing eliminates unsightly hardware
- Low profile canopy for end or top mount applications mounts to a standard j-box
- Polycarbonate security cover and wire guards available for wall mount installations
- Optional snap fit polycarbonate face shield is ideal for vandal resistant applications
- Pendant suspension mounting & specialty mounts available
- Damp location rated is a standard feature

### ELECTRICAL

- Self-Diagnostic Battery monitoring on all 'EM' models
- Premium long life high temperature Nickel Metal Hydride battery pack operates 2.6 times longer than the minimum 90 minute run time
- 120 or 277 VAC field selectable input
- Electronic control circuit optimizes LED life and light output. A diagnostic selfcompensating constant current charger circuit monitors the condition of the battery pack and indicates via a flashing LED when battery needs replacing
- Circuitry includes - Zero current LVCO, brownout sensing and line-latch

### ILLUMINATION

- Featuring high contrast and visibility in the energized mode
- Maintenance free LED light source with 25+ years life expectancy
- High intensity LED array provides exceptional energy efficiency with just 2 watts power consumption for both single and double face AC models. Battery backup models consume just 2.4 watts
- Edge lit illumination provides vivid and uniform legend illumination

### CERTIFICATION

- Tested, approved and listed by Underwriters Laboratories to UL 924, meets CSA C22.2 No. 141-10, NFPA 101, NFPA 70-NEC and OSHA requirements
- Buy American Act compliant

### WARRANTY

- 5 year limited warranty - view complete warranty terms online at [www.evenlite.com/terms-warranty](http://www.evenlite.com/terms-warranty).

## ORDERING GUIDE

RCG3-EM-01-RD-WH-01-BA-CN

MODEL	OPERATION	GRAPHICS <sup>2</sup>	LETTER COLOR <sup>5</sup>	BACKGROUND COLOR	NO. OF FACES	HOUSING COLOR
RCG3	AC AC Only (120/277 VAC)	# Standard Graphics <sup>3</sup>	RD Red	BK Black	01 Single	BA Brushed Aluminum
	EM Battery Backup Emergency	CG Custom Graphic <sup>4</sup>	GN Green	WH White	02 Double	BK Black
	SD Self-Test/Self-Diagnostic <sup>1</sup>		WH White <sup>6</sup>	BL Blue		WH White
RCG3			BL Blue	CU Custom Color <sup>4</sup>		CC Custom Color <sup>4</sup>
MOUNTING		OPTIONS			ORDERING NOTES	
IB Wall Mount <sup>7</sup>					<ol style="list-style-type: none"> <li>EM models only</li> <li>For signs requiring directional indicators, select C custom letter and specify graphic with chevron direction</li> <li>See Page 3 for all standard graphic options</li> <li>Specify preference</li> <li>Maximum illuminated area is 8.5" W x 6-1/8" H</li> <li>Cannot have white LED with white background</li> <li>No canopy</li> <li>Top, left, right end mount</li> <li>Flash in emergency mode (EM models) or continuous flash (AC models).</li> <li>For 12-24V (AC or DC) normally-off fire alarm signal</li> <li>Field Selectable 120 or 277 V (AC only)</li> <li>Remote is single face wall mount only</li> <li>Order separately</li> <li>See data sheet RS</li> <li>Wall mount only</li> <li>Only available as a Single Face configuration.</li> </ol>	
CN Universal Canopy Mounting Kit <sup>8</sup>		<b>OPTIONS</b>		<b>COMPATIBLE REMOTE HEADS</b>		
PA 12" Hang Straight Pendant Mount		F Flash in Emergency Mode <sup>9</sup>		TCRH1 1 Watt Single Indoor LED Head		
PB 24" Hang Straight Pendant Mount		FA Flash in AC and Emergency Mode <sup>10</sup>		TCRH2 1 Watt Each Double Indoor LED		
PD 48" Hang Straight Pendant Mount		DK Two Circuit Input <sup>11</sup>				
PE 60" Hang Straight Pendant Mount		LL High/Low Level Master/Remote <sup>12</sup>				
PF 72" Hang Straight Pendant Mount		IR Self-Diagnostic with Infrared Remote Testing				
CL Custom Length <sup>4</sup>		TLRT Infrared Remote Testing Transmitter <sup>13</sup>				
REC Recessed Wall Mount <sup>16</sup>		RS Razor Vandal Shield <sup>14</sup>				
		M990010 Wire Guard <sup>15</sup>				
		RC Remote Lamp Head Capacity (3.6 V, 2W)				

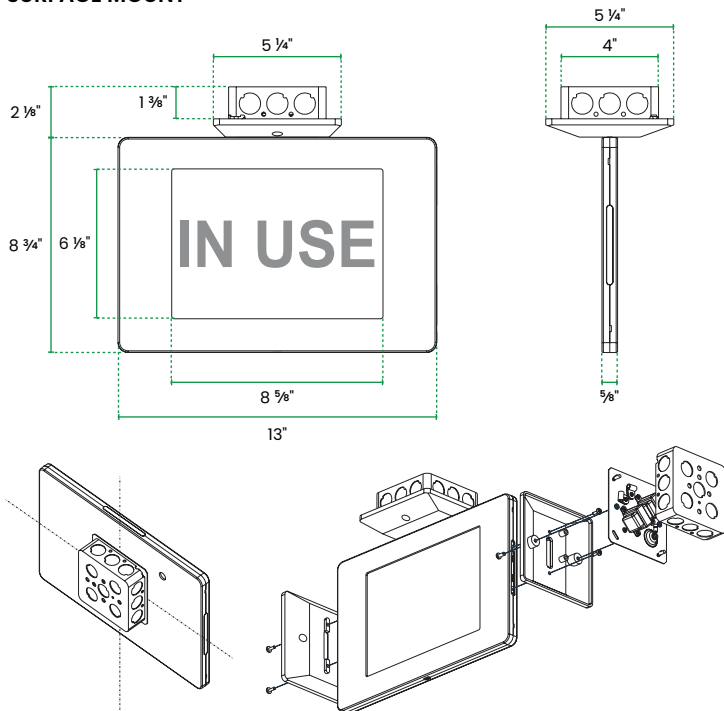
Fill in fields from categories above and complete type and part number.

Type No:

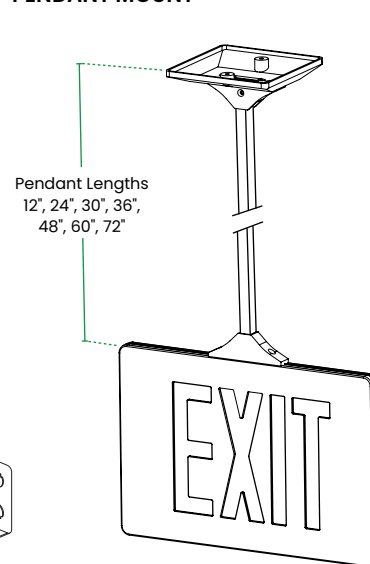
Full Part No:

## DIMENSIONS

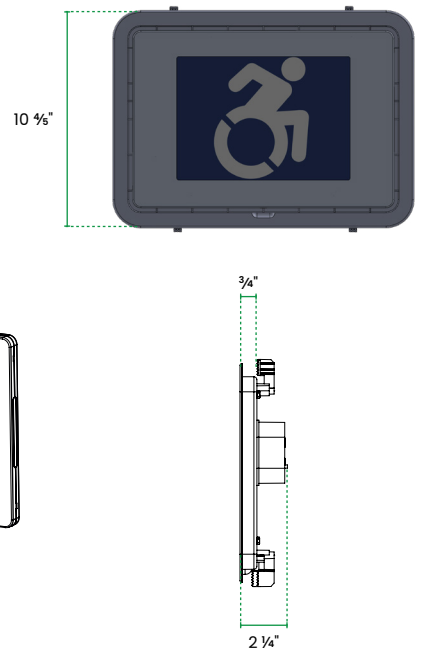
### SURFACE MOUNT



### PENDANT MOUNT



### RECESSED MOUNT



## CUSTOM GRAPHICS

01 	02 	03 	04 	05 
06 	07 	08 	09 	10 
11 	12 	13 	14 	15 
16 	17 	18 	19 	20 
21 	22 	23 	24 	25 
26 	27 	28 	29 	30 
31 	32 	33 	<p>NOTE: For signs requiring directional indicators, select C custom letter and specify graphic with chevron direction.</p>	