

SENTRY SHY

Photoluminescent / LED Die-Cast Aluminum Exit Sign

EPIC SELF-SUFFICIENT TECHNOLOGY — COMBINING LED AND PHOTOLUMINESCENT ILLUMINATION FOR MAINTENANCE-FREE, CONTINUOUS ILLUMINATION.

Building on the proven, patented innovation of self-sustaining LED + photoluminescent technology, the newly enhanced Sentry SHY replaces the trusted CHY—now housed in a sleek, ultra-compact 2.5" die-cast aluminum enclosure. Engineered for both performance and durability, the SHY delivers vibrant, maintenance free emergency exit signage in a refined and rugged form factor.

During normal operation, high-efficiency LEDs illuminate and charge the Green (not available in Red) photoluminescent letters. In the event of a power outage, the sign remains illuminated for a full 90 minutes—without the need for batteries or external light sources. This eliminates the cost, labor, and compliance burden of monthly battery testing and routine battery replacement required by traditional battery backup exit signs.

CONSTRUCTION

- Injection-molded internal cavity reflector ensures easy installation and maintenance while delivering perfectly even legend illumination
- Rugged Three-Piece Construction – Crafted from heavy-duty die-cast aluminum alloy, this durable housing features a thick-wall design for superior strength and longevity. Snap-lock removable face with overlapping light seal
- Available in a standard contrast finish of fine-grain brushed aluminum stencil face over a black or white body, an all-brushed aluminum architectural finish, or a subtle all-white or all-black option. See ordering guide for details.
- Field selectable knockout chevron directional indicators
- Universal knock out back mounting patten
- New entry plug design for simplified canopy installation or use with conduit entry adaptors
- Low-profile die-cast aluminum universal canopy with a cast 3/4" nipple, locking nuts, and an anti-twist lock
- Also available as a universal field-selectable kit (U), configurable for single or double-face applications
- Single or double-face models can be field-modified to accommodate either configuration, with an additional face or back available for separate order
- New 1/2" Square Extruded Aluminum Pendants – Featuring a matching finish, these pendants blend seamlessly with the Sentry exit, ensuring a cohesive architectural appearance. The package includes a purpose-designed slimline adaptor and a unique low-profile, seismic-rated hang-straight canopy, designed to accommodate all pendant applications
- Optional (VR) polycarbonate face shield with tamper-proof access screws, ideal for vandal-resistant and low-level applications (U.L. listed for floor-proximity installation)



ELECTRICAL

- LED/Phosphor fusion technology delivers exceptional energy efficiency with just 3-watt power consumption for single & double-face models.
- No Battery to replace ever and completely maintenance free, fully automatic operation
- 120 or 277 VAC field-selectable input with quick install whip connector system
- Listed for Damp location 10°C to 40°C.
- Electronic control circuit applies full wave, low ripple current to each LED, thereby optimizing life and light output

ILLUMINATION

- Green legend illumination with 100' rated viewing distance with 6" letter height and 3/4" stroke
- LED'S provide normal letter illumination, and the photoluminescent material provides emergency illumination
- No external light source required, as the internal LEDs keep the phosphors saturated and ready for emergency operation
- Maintenance-free LED light source, life expectancy of 25+ years
- Vivid legend illumination in the normal AC mode provide 4 times the minimum UL requirement
- Spectrally-matched diffuser for superior brightness and legend uniformity
- Field selectable chevron directional indicators

CERTIFICATION

- Tested, approved, and listed by Underwriters Laboratories to UL 924, meets NFPA 101, NFPA 70-NEC, and OSHA requirements
- Canadian CSA-C22.2 No. 141-15
- Meets or exceeds NFPA 101 Life Safety Code, NFPA 70-NEC and OSHA requirements
- California Energy Commission (CEC) Title 20 Compliant
- Buy American Act compliant
- NSF/ANSI Standard 2 Certified

WARRANTY

- 5 year limited warranty - view complete warranty terms online at www.evenlite.com/terms-warranty.

ORDERING GUIDE

SHY-AC-G-U-A-B-1B

| MODEL | OPERATION | LEGEND COLOR | NO. OF FACES | FACE COLOR | BODY COLOR |
|--|------------------------------|---|--------------------------------|--|--|
| SHY | AC AC Only (120/277 VAC) | G Green ¹ | 1 Single Face 2 Double Face | A Brushed Aluminum B Black W White R Red C Custom Color ² | A Brushed Aluminum B Black W White R Red C Custom Color ² |
| SHY | AC | G | | | |
| MOUNTING | | OPTIONS | | ORDERING NOTES | |
| 1B Back Mount, No Canopy ³ | PB 24" Swivel Pendant | VR Vandal Shield | | 1 Not available in red. Consider the red colored housing option. 2 Specify preference 3 Single face only 4 Universal/end ceiling 5 Order separately 6 Wall mount only | |
| CN Canopy Mounting Kit ⁴ | PC 36" Swivel Pendant | M990010 Wire Guard ^{5, 6} | | | |
| SM Stanchion Mount | PD 48" Swivel Pendant | | | | |
| CE ¾" Conduit Entry | PE 60" Swivel Pendant | | | | |
| PA 12" Swivel Pendant | PF 72" Swivel Pendant | | | | |

Fill in fields from categories above and complete type and part number.

| | |
|----------|---------------|
| Type No: | Full Part No: |
|----------|---------------|

ADDITIONAL IMAGES

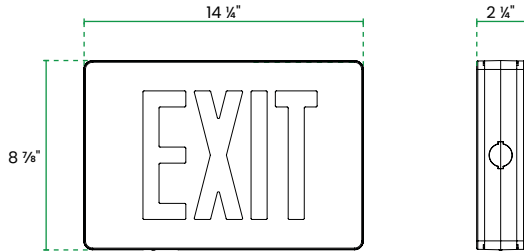
CONDUIT ENTRY
 White Housing with Green Legend

CEILING MOUNT
 Brushed Aluminum Housing with Green Legend

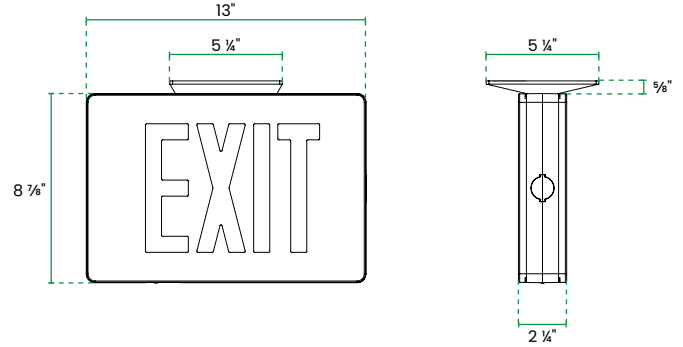
END MOUNT
 Black Housing with Green Legend

DIMENSIONS

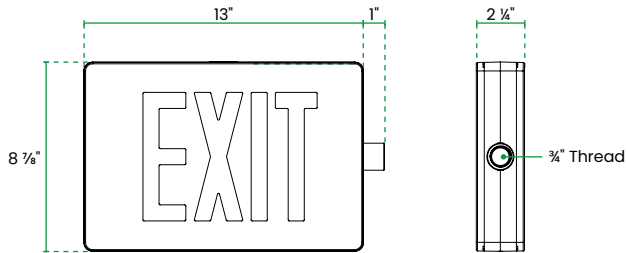
BACK MOUNT (1B)



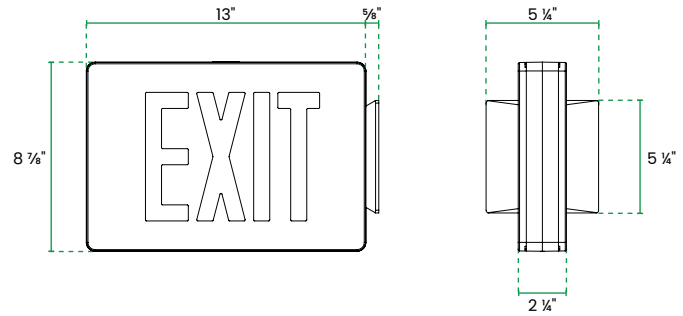
CEILING MOUNT (CN)



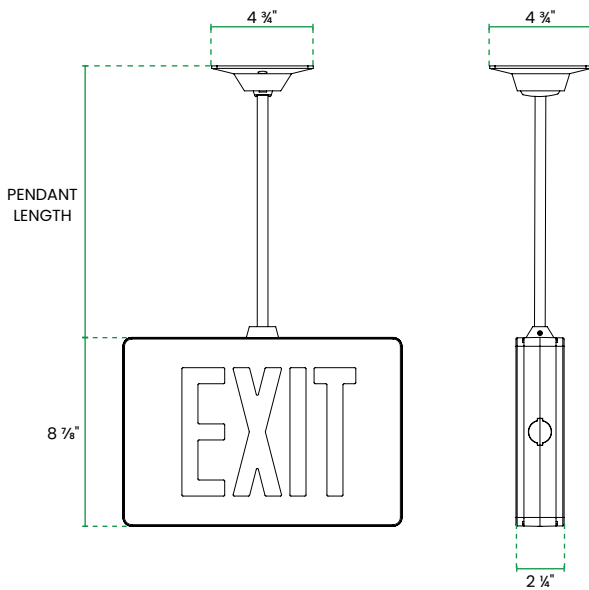
CONDUIT ENTRY (CE)



END MOUNT (CN)



PENDANT MOUNT



PENDANT LENGTH

| | |
|-----------|--------------------|
| PA | 12" Swivel Pendant |
| PB | 24" Swivel Pendant |
| PC | 36" Swivel Pendant |
| PD | 48" Swivel Pendant |
| PE | 60" Swivel Pendant |
| PF | 72" Swivel Pendant |