



EVENLITE
LIVES DEPEND ON US

AURORA

Ultra-Thin Die-Cast Photoluminescent/LED Exit Sign

INSTALLATION AND OPERATING INSTRUCTION

Signs furnished with transparent backgrounds shall be installed only where there is adequate color contrast between the sign legend and the interior wall finish behind the sign, to provide for sufficient visibility.

IMPORTANT SAFEGUARDS

When using electrical equipment, basic safety precautions should always be followed including the following:

READ AND FOLLOW ALL SAFETY INSTRUCTIONS

1. Do not use outdoors.
2. Do not mount near gas or electric heaters.
3. Equipment should be mounted in locations and at heights where it will not readily be subject to tampering by unauthorized personnel.
4. The user of accessory equipment not recommended by the manufacturer may cause an unsafe condition.
5. Do not use this equipment for other than intended use.
6. Supply connections must be made either inside the junction box for surface mount or the splice box in the recessed mount backbox.
7. Install using recommended junction box only.
8. Servicing of this equipment should be performed by qualified service personnel.

SAVE THESE INSTRUCTIONS

2575 Metropolitan Drive • Trevoze, Pa • 19053 U.S.A
Telephone: (215) 244-4204 • Email: servicesupport@evenlite.com

INSTALLATION INSTRUCTIONS

The Aurora Hybrid Exit Sign is designed to be mounted to a junction box (supplied by others). It can be either back, top or side mounted. The single face unit back mounts to a standard 4" square box. Top or side mount requires the optional canopy and also mounts to a standard 4" square box.

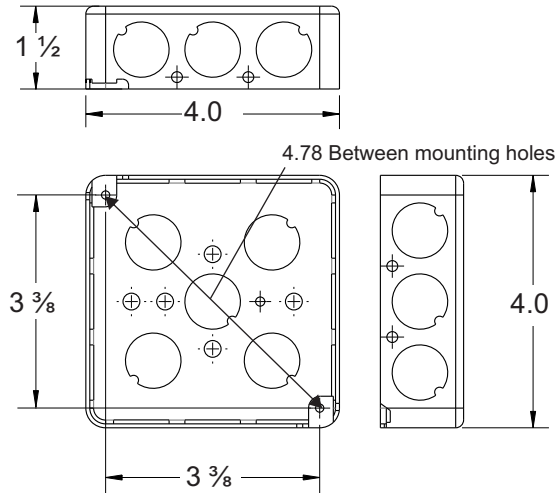


Figure 1: Standard Junction box dimensional outline

SECTION 1: BASIC FUNCTIONALITY AND FEATURES

1. Open enclosure and separate panels using a flat blade screw driver (as shown below).

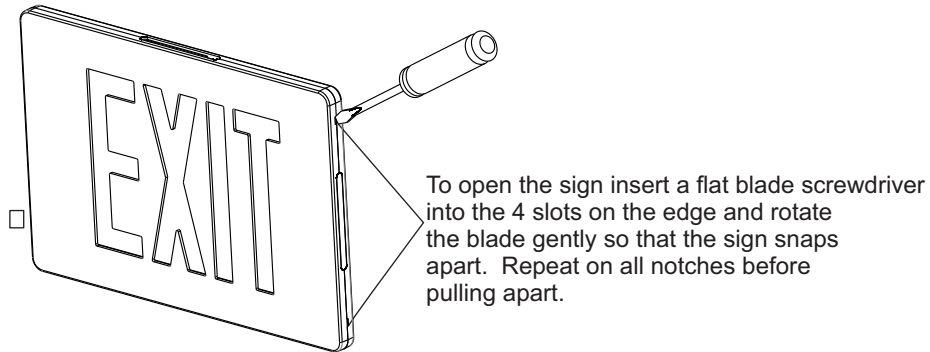


Figure 2: Opening the sign

2. Support rear panel on spacers and punch out appropriate knockouts to fit junction box.

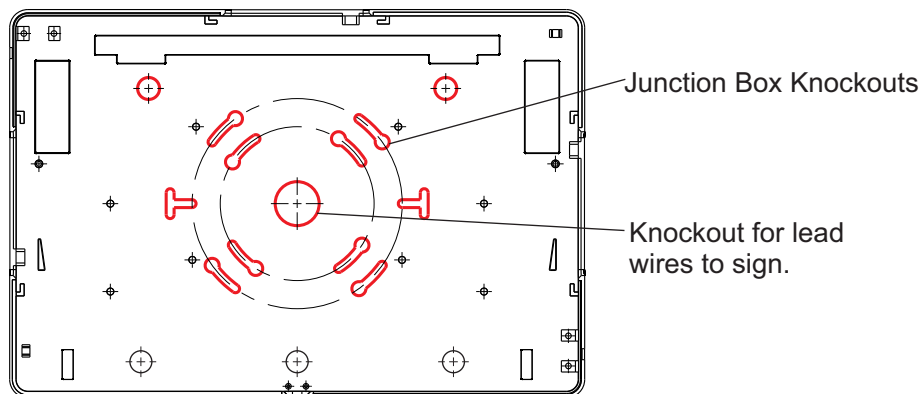


Figure 3: Rear Panel Knock Outs

Before installing unit, disconnect power at breaker panel

3. The spider plate assembly will be provided with the transformer mounted and the lead wires strain relieved by the cable clamp (as shown below). Connect lead wires to feed wires in junction box as per local code.

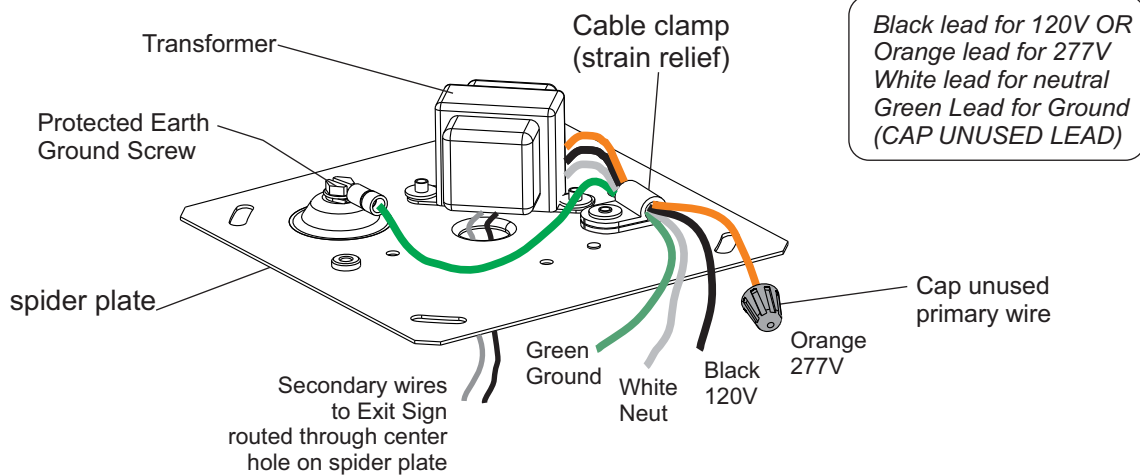


Figure 4: Lead wire connections to transformer

4. Determine which directional indicators are to be removed. Remove light guide assembly and set aside. Support front cover as shown below and knock out desired directional indicator(s).

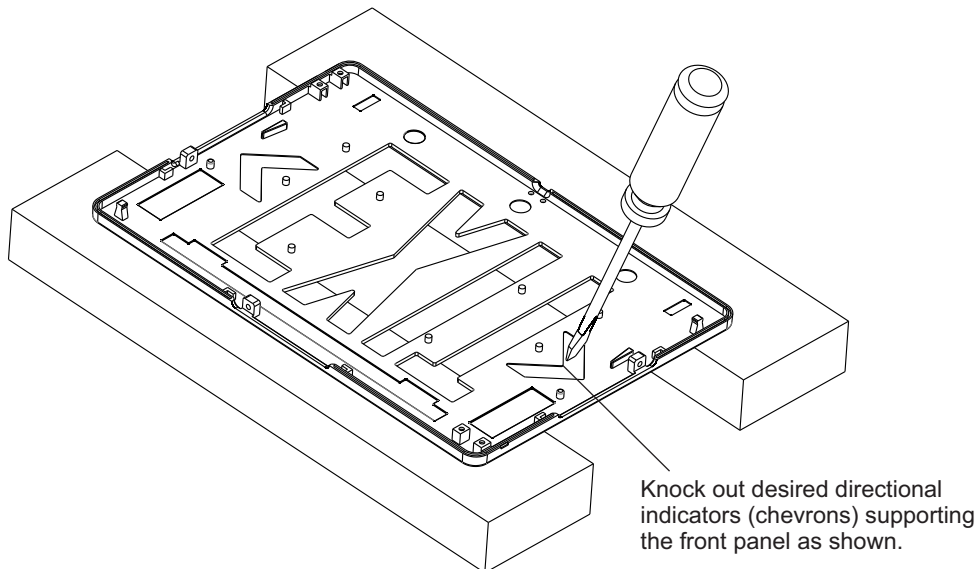


Figure 5: Removing the directional indicators (chevrons)

SECTION 2: BACK MOUNT INSTALLATION (SINGLE FACE SIGN)

1. Secure spider plate to the junction box (screws supplied with the junction box). Route the transformer's secondary leads through the center knockout of the rear panel then level the rear panel before tightening the panel to the spider plate via the knock-outs.
2. Place the filler plates in the rear panel per Detail B below.
3. Terminate transformer leads to the sign per Detail A below.
4. Install the light guide assembly. The transformer leads are to be routed within the rear panel and the white reflector is to be located in-front of the wires as show below. The wires should not be visible when looking at the sign from the front face.
5. Snap on Front Panel with desired directional indicators removed per Section 1.

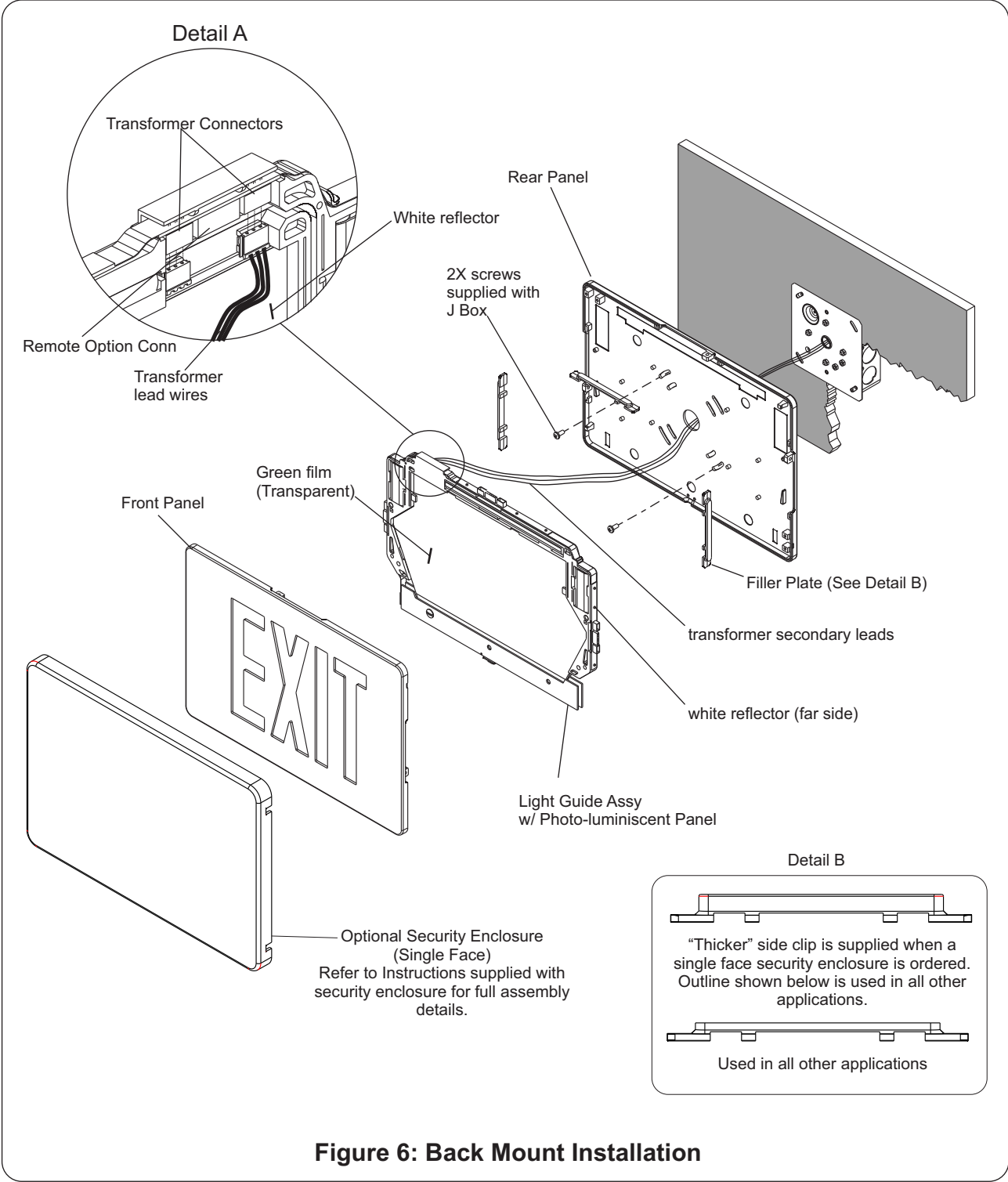


Figure 6: Back Mount Installation

SECTION 3: CANOPY MOUNT (SINGLE OR DOUBLE FACE SIGNS)

1. Secure spider plate to junction box. Guide transformer secondary leads through canopy and connect to sign.
2. Secure canopy to sign and then fasten to spider plate. If an optional security cover will be utilized, it must be assembled to sign prior to securing the canopy to the sign.

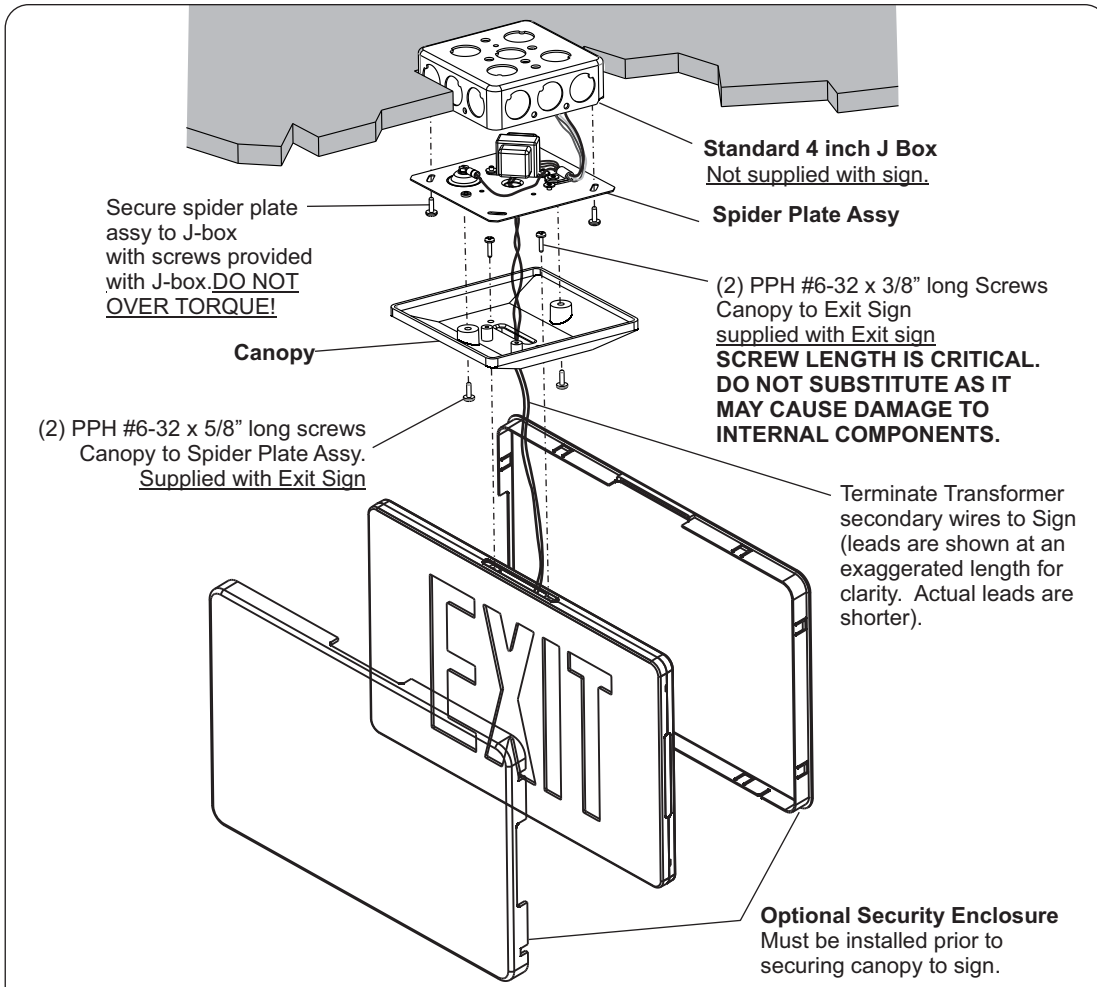


Figure 7: Canopy mount Installation (Top/ Ceiling Mount)

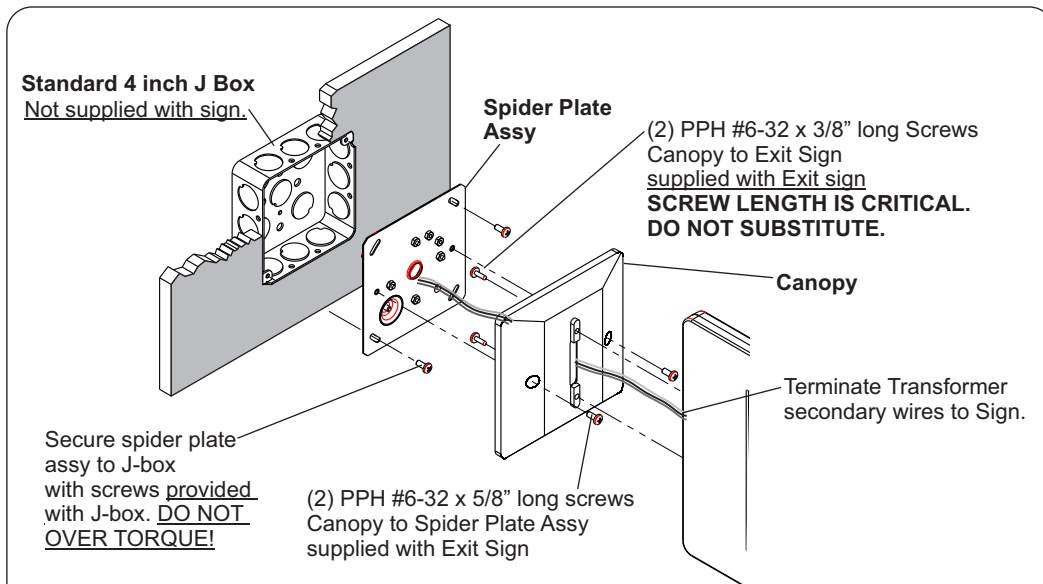


Figure 8: Canopy mount Installation (Side Mount)

After installation is complete, reapply power and notify the authority having jurisdiction.