

LCPSD

LED Emergency Power Packs

The LCPSD series LED conversion packs feature field-selectable Self-Test/Self-Diagnostics and are UL Classified for field installation. Available in 7W, 12W, and 25W capacities, they fit various LED drivers and luminaire types. Ideal for indoor and damp locations, the LCPSD seamlessly integrates with the luminaire. During power loss, it switches to emergency mode for 90 minutes. High-density, long-life Lithium LiFePO4 batteries enable compact enclosures.



CONSTRUCTION

- Compact galvanized steel housing finished in durable polyester paint
- Plenum rated remote test switch with integral AC indicator, mounted in a single gang plate and provided with switch box and quick connector
- 24" lead wires with dual flexible metallic conduit
- IC Rated and suitable for use in plenum and damp location luminaires

ELECTRICAL

- Field selectable Self-Test, Self-Diagnostics function
- Self-sensing array forward voltage (see table for model output voltage range), LCPSD automatically adjusts the output current to provide constant wattage to the luminaire array for 90 minutes
- Constant power operation maintains illumination throughout the discharge time without degradation
- Long Life, thermally safe high capacity maintenance free Lithium Iron Phosphate battery, provides the required 90 minutes emergency duration and environmentally friendly end of life recycling
- Two wire universal 120-277 line sensing input 50/60Hz
- Energy efficient solid-state switching power supply, Class 2 compliant and meets California Title 20

- Ambient operating temperature range 41°F to 122°F (5°C to 50°C) max
- Programmed two-stage solid state charger with charge and discharge protection and rapid 24 hour recharge
- High surge protected to ANSI standard
- Zero current LVCO ensures positive charge acceptance following an extended battery discharge
- Brownout sensing assures emergency illumination during periods of low line voltage

CERTIFICATION

- Tested and Listed by Underwriters Laboratories in compliance with UL924, and CSA-C22.2 No. 141-15
- UL924 classified for field installation
- UL 1310 Certified, Class 2 compliant
- Meets or exceeds NFPA 101 Life Safety Code, NFPA 70-NEC and OSHA requirements
- California Title 20 Certified
- RoHS Compliant

WARRANTY

- 5 year fixture limited warranty – view complete warranty terms online at www.evenlite.com/terms-warranty.

ORDERING GUIDE

LCPSD-7-DF

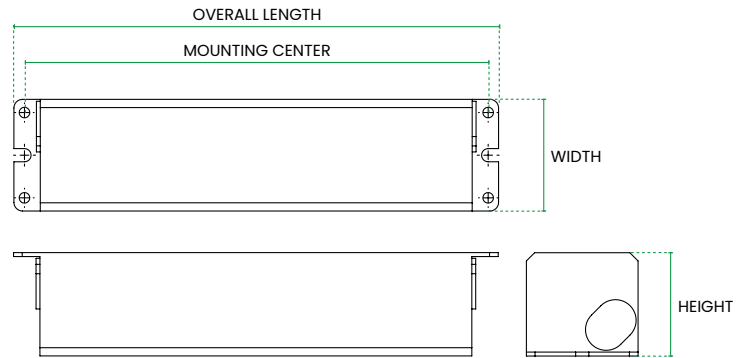
MODEL	OUTPUT RATING	WIRING CONFIGURATION	ORDERING NOTES
LCPSD	7 7 Watts	DF Dual Conduit ¹	1 Include 24" on each end together with remote test switch and plate.
	12 12 Watts		
	25 25 Watts		
	25HV 25 Watts		
LCPSD		DF	

Fill in fields from categories above and complete type and part number.

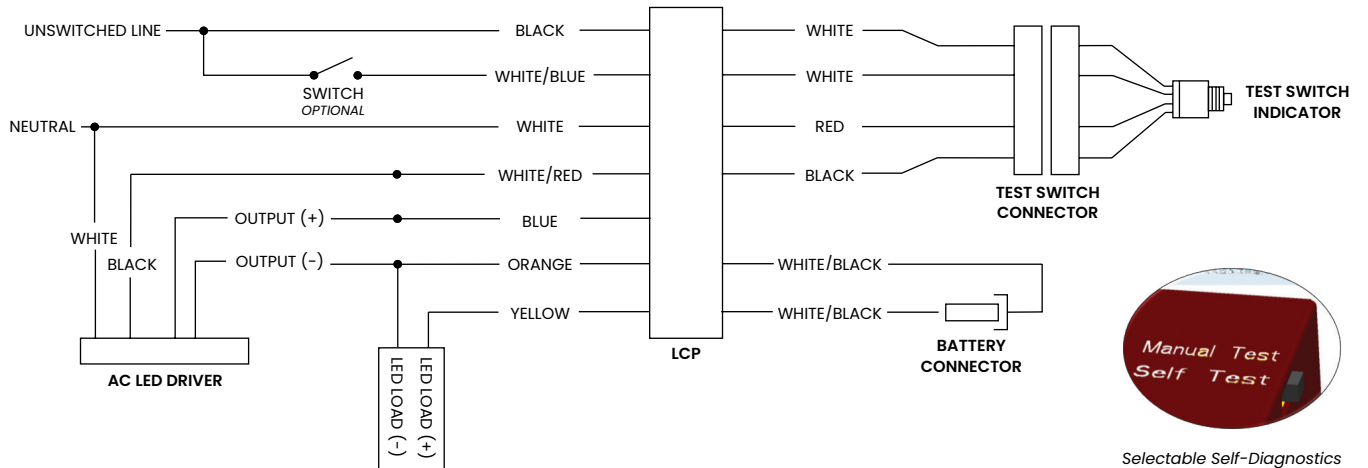
Type No:	Full Part No:
----------	---------------

DIMENSIONS

MODEL	LENGTH	WIDTH	HEIGHT	MOUNTING CENTER
LCPSD-7	10.24"	2.26"	1.34"	9.937"
LCPSD-12	10.24"	2.26"	1.34"	9.937"
LCPSD-25	17.7"	2.26"	1.43"	17.4"
LCPSD-25HV	17.7"	2.26"	1.43"	17.4"



WIRING DIAGRAM



COMPATIBILITY CHART

MODEL	OUTPUT POWER MAXIMUM	OUTPUT VOLTAGE RANGE	OUTPUT CURRENT	INPUT POWER RATING 120/277V MAXIMUM
LCPSD-7-DF	7W	10-60VDC	0.7A (at 10VDC) 0.12A (at 60VDC)	4W
LCPSD-12-DF	12W	10-60VDC	1.2A (at 10VDC) 0.2A (at 60VDC)	6W
LCPSD-25-DF	25W	20-60VDC	1.25A (at 10VDC) 0.42A (at 60VDC)	7W
LCPSD-25HV-DF	25W	50-200VDC	0.5A (at 10VDC) 0.125A (at 60VDC)	7W

Caution: Not suitable for luminaries/drivers with output voltage higher than shown in the output current table above. Check luminaire LED driver specifications to verify compatibility.

LED LAMP INDICATOR

DUAL COLOR LED LAMP INDICATOR STATUSES	
GREEN	On / Ready
GREEN BLINKING	Testing
RED	Service Alert
RED COLOR LED LAMP INDICATOR	Service Alert LED Code

DIAGNOSTIC FAILURES	
RED FLASH, 4 SECOND PAUSE	Battery is not connected
RED FLASH [X2], 4 SECOND PAUSE	Battery voltage too low
RED FLASH [X3], 4 SECOND PAUSE	Charger board circuit failure
RED FLASH [X4], 4 SECOND PAUSE	Transfer system failure
RED FLASH [X5], 4 SECOND PAUSE	LED load not connected or failure