

SOVEREIGN II SOC

Architectural Chicago-Approved Edgelit LED Exit Sign

The Sovereign II SOC edgelit exit sign builds on the timeless design of the original, offering enhanced versatility with the universal surface mounting option and "snap-fit" lens to field select face count. Designed with the latest high-efficiency LEDs, Sovereign II SOC provides a vivid pronouncement of its exit legend with exceptional uniformity and luminance levels. The unique City of Chicago-approved directional arrows can be field-installed or factory-installed for your convenience.



CONSTRUCTION

- Plenum rated back-box can be pre-shipped for early installation
- Contoured crystal clear laser formed edgelit lens • Lens Panel is "Last-to-Assemble" snap-in for versatility and ease of installation
- Field applied directional arrow kit includes locating template, arrow adheres to lens to prevent removal
- Field applied directional arrows reduce inventory to just single or double face
- Improved low profile mounting canopy for surface ceiling, surface wall and surface end mounting
- Available with SU Surface Universal mount option for field configurable surface mounting
- Precision pressure die cast aluminum legend holder, trim and surface mount canopy
- Quality brushed aluminum sealed finish is standard, White, Black, Brushed, Painted Brass, Bronze finishes available, consult factory for custom finishes
- Hinged retaining springs eliminate exposed mounting hardware on recessed model
- Modular design provides ease of installation and matching configurations
- Low profile recessed housing is suitable for old or new work installations and is Type IC Rated
- Recessed ceiling back-box features universal adjustable mounting brackets with quick-fit retaining clips to suit mosy ceilings
- Slimline low profile surface mount housing eliminates need for recessing box in wall mount applications
- New design Architectural Swivel pendants available with matching finishes

ELECTRICAL

- Diagnostic Battery Monitoring on all "EM" models
- Maintenance free LED Light source with 25+ years life expectancy
- Red letters are 6" high with 3/4" stroke, power consumption is < 3 Watts for all models

- Battery Diagnostic Circuit monitors battery status, detects cell failure and issues alert of reduced capacity and the need to replace battery
- Unique electronic driver circuit provides current control and protection ensuring optimum LED efficiency and life
- Universal 120/277 VAC field selectable input. All versions feature fully integral electronic components
- Premium long life high temperature rated, fused Nickel Cadmium battery, operating temperature 10° to 40°C
- Recessed AC Indicator Test Switch
- Brownout sensing assures emergency illumination during periods of low line voltage
- Self-compensating solid state Constant Current Charger provides extended float life and rapid recharge
- Zero current LVCO ensures positive charge acceptance following extended discharge

ILLUMINATION

- Refractive light guide engineered to optimize LED utilization and illumination uniformity
- Both the legend and characters are illuminated with excellent legend uniformity 1-4:1 background, 2.5:1 Avg. 31cd/m², avg. 6cd/m²
- Available with a range of information signage or custom graphics to order

CERTIFICATION

- City of Chicago approved with field-installable universal arrows
- UL Listed 3 hour emergency duration standard
- City of Chicago approved, UL 924 Listed by Underwriters Laboratories and meets or exceeds all performance standards as required by NFPA 101, NFPA 70-NEC and OSHA
- Buy American Act Compliant

WARRANTY

- 5 year limited warranty - view complete warranty terms online at www.evenlite.com/terms-warranty.

ORDERING GUIDE - SOCII HOUSING ONLY

SOCHII-AC-BA-SW-DK

MODEL	OPERATION	HOUSING COLOR	MOUNTING	
SOCHII	AC AC Only	BA Brushed Aluminum	STANDARD	
	EM Ni-Cad Battery Backup	BK Black	SW Surface Wall	OPTIONAL
		WH White	SE Surface End	SU Surface Universal
		BZ Painted Bronze	SC Surface Ceiling	PA 12" Hang Straight Pendant
		BR Painted Brass	RC Recessed Ceiling ¹	PB 24" Hang Straight Pendant
		CC Custom Colors	UP Recessed Mount ²	PC 36" Hang Straight Pendant
				PD 48" Hang Straight Pendant
				PE 60" Hang Straight Pendant
				PF 72" Hang Straight Pendant
				PX Custom Pendant Length
				MU Mullion Mount
				MUI Mullion Mount Inverted Panel
				MUB Mullion Mount Back
SOCHII				
OPTIONS			ORDERING NOTES	
FT Flat Trim for Recessed Ceiling Mount	FB Flash and Buzzer	1 With Pre-Shipped Backbox 2 Ship Completed Including Backbox 3 EM models only 4 Please specify voltage		
DK Dual Circuit Input	FZ Fire Alarm and Buzzer			
SD Self-Test/Self-Diagnostics ³	OW Old Work Clips			
IR Self-Diagnostics with Infrared Remote Testing ³	VA Other Input Voltage ⁴			
F Flash	DL Damp Location			
FA Fire Alarm				

Fill in fields from categories above and complete type and part number.

Type No: Full Part No:

ORDERING GUIDE - SOCII PANEL ONLY

SOCPII-1-3-STD-STD-UA

MODEL	NO. OF FACES	LEGEND CODE NUMBER		PANEL OUTLINE	LEGEND ORIENTATION	CHEVRONS
SOCPII	1 Single Face	SINGLE FACE	DOUBLE FACE	STD Standard Curved Bottom	STD Standard	UA Universal Chevron Kit
	2 Double Face	3 Exit (No Arrow) 6 Exit (Right Arrow) 9 Exit (Left Arrow) 12 Exit (Double Arrow) 2 Stairs (No Arrow) 5 Stairs (Right Arrow) 8 Stairs (Left Arrow) 11 Stairs (Double Arrow)	18 Exit (No Arrow) 21 Exit (Right or Left Arrow) 24 Exit (Double Arrow) 17 Stairs (No Arrow) 20 Stairs (Right or Left Arrow) 23 Stairs (Double Arrow)	FP Flat Panel	IN Inverted Legend	
SOCPII						UA

Fill in fields from categories above and complete type and part number.

Type No: Full Part No:

ADDITIONAL IMAGES



SURFACE WALL MOUNT
White



SURFACE END MOUNT
Brushed Aluminum



SURFACE CEILING MOUNT
Black



ARCHITECTURAL PENDANT MOUNT
Painted Brass



ACCENTED TRIM RECESSED CEILING MOUNT
Brushed Aluminum



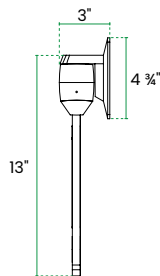
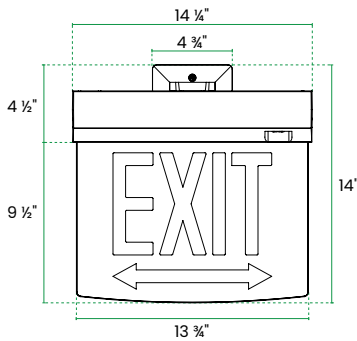
FLAT TRIM RECESSED CEILING MOUNT
Black



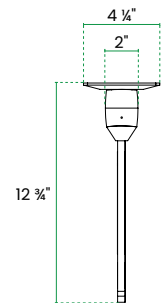
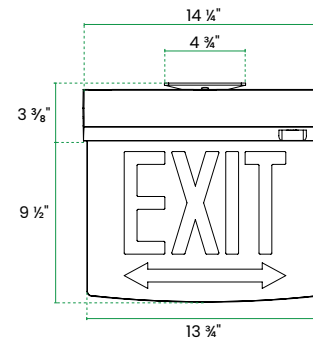
MULLION MOUNT INVERTED (MUI)
Black

DIMENSIONS

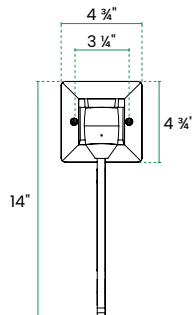
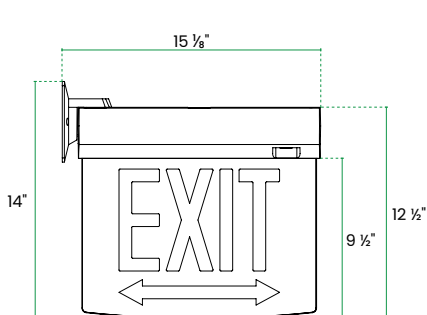
SURFACE WALL MOUNT



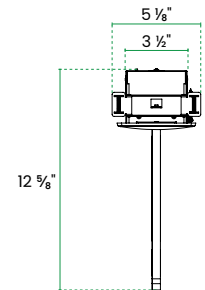
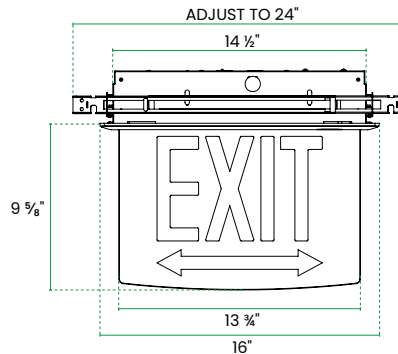
SURFACE CEILING MOUNT



SURFACE END MOUNT

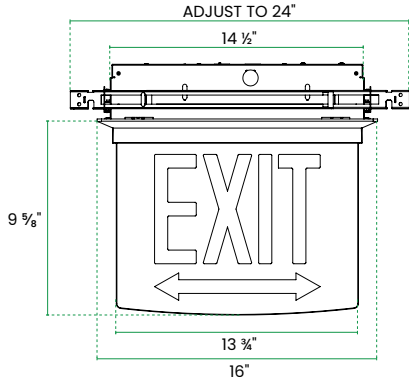


FLAT TRIM RECESSED CEILING MOUNT

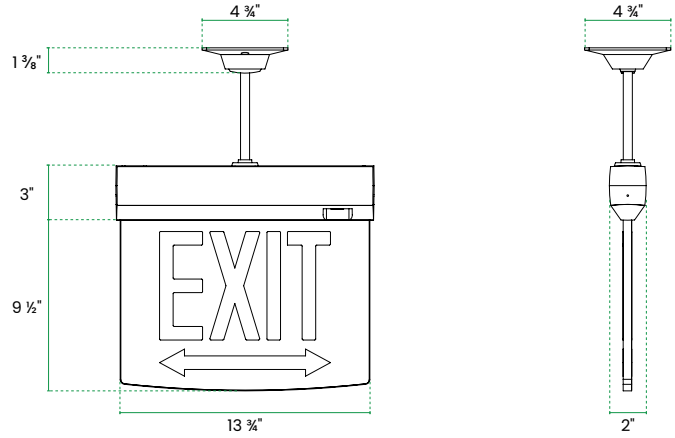


DIMENSIONS

ACCENTED TRIM RECESSED CEILING MOUNT

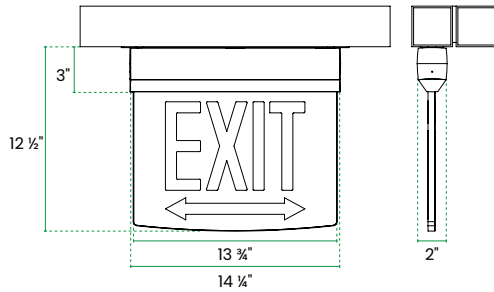


ARCHITECTURAL PENDANT MOUNT



MULLION MOUNT

SOCII/SOVII-NR MULLION MOUNT (MU)



SOCII/SOVII-NR MULLION MOUNT INVERTED LEGEND (MUI)

