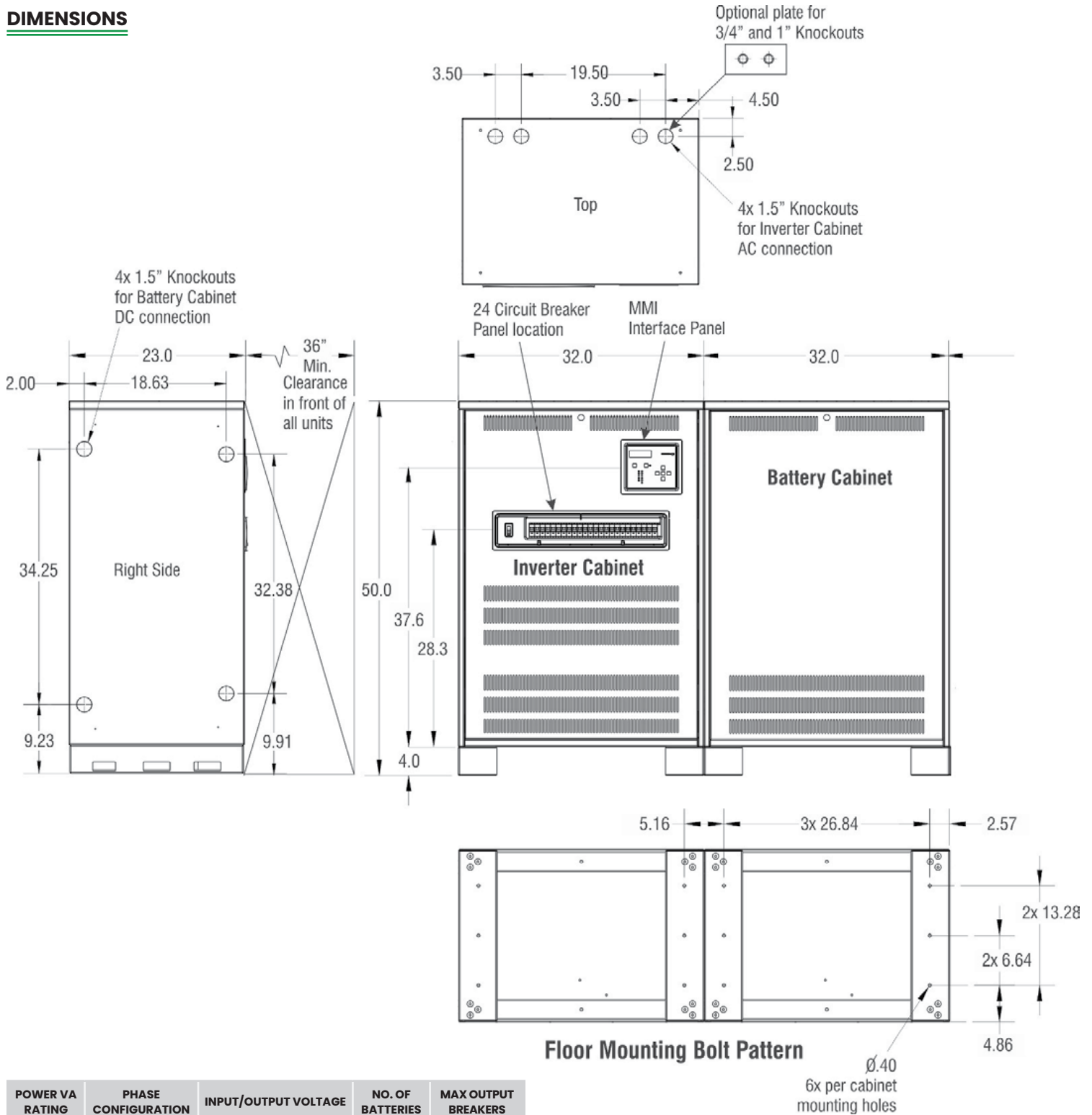


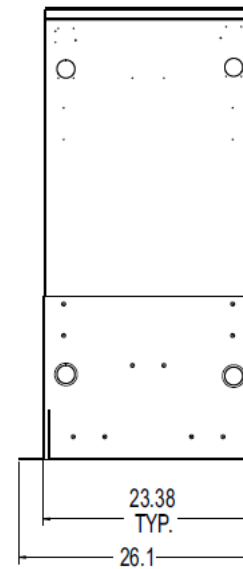
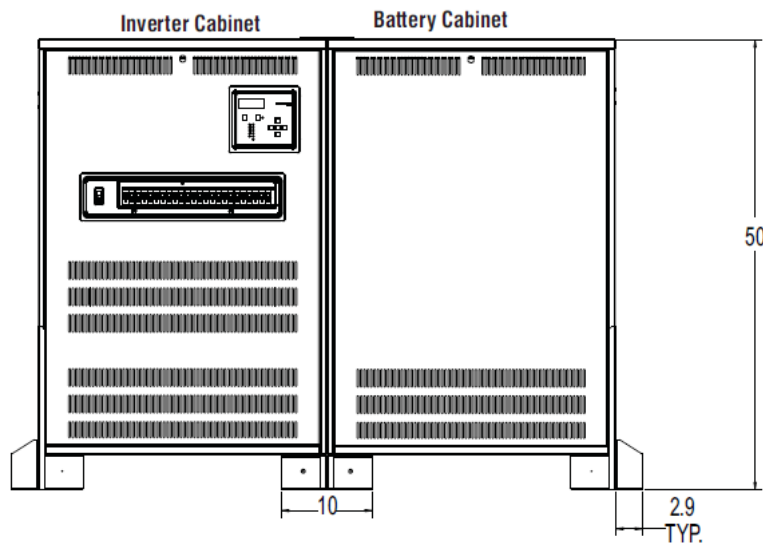
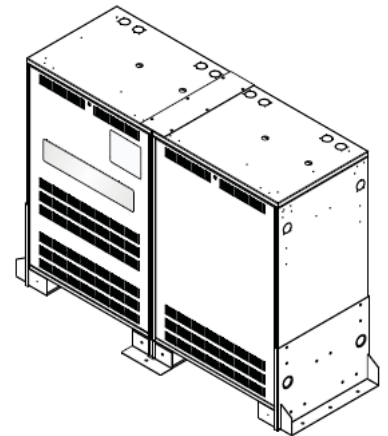
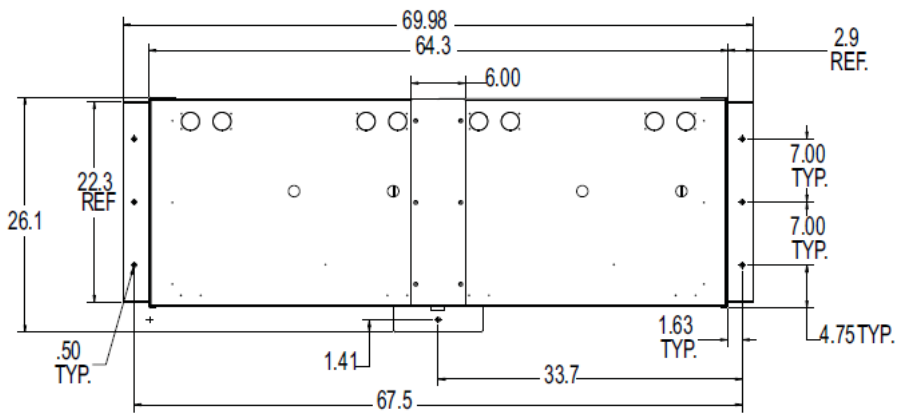
DIMENSIONS



POWER VA RATING	PHASE CONFIGURATION	INPUT/OUTPUT VOLTAGE	NO. OF BATTERIES	MAX OUTPUT BREAKERS
8250W	1P	120V (L-N) / 277V (L-N)	16	24
10500W		277V (L-N)	20	
12500W		277V (L-N)	24	

DIMENSIONS

INVERTER WITH SEISMIC BRACKETS



DIMENSIONS

STACKED CONFIGURATION

