

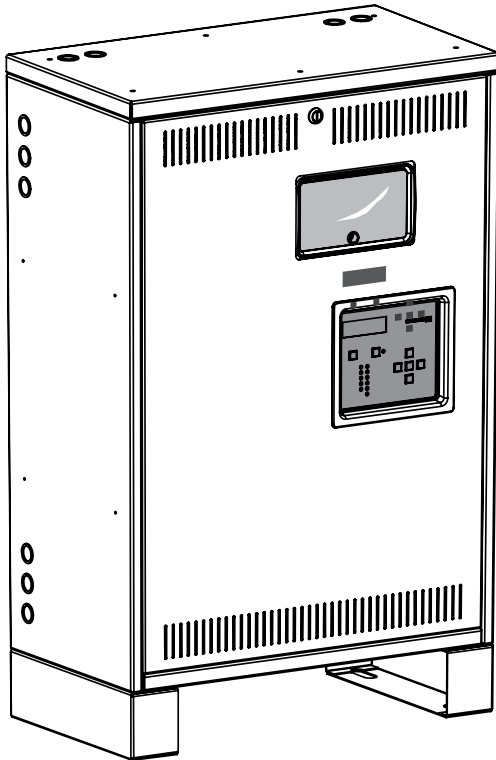


EVENLITE
LIVES DEPEND ON US

Contractors Guide

Central Inverter System Installation

Step By Step Procedures – 1,000 Watt/VA



Inverter size shown is 1KW using a single cabinet for Batteries and Electronics

5 Step Installation

1. Mounting the Cabinet
2. Install / Connect Batteries
3. Install Conduit
4. Install AC Wiring
5. Energize System

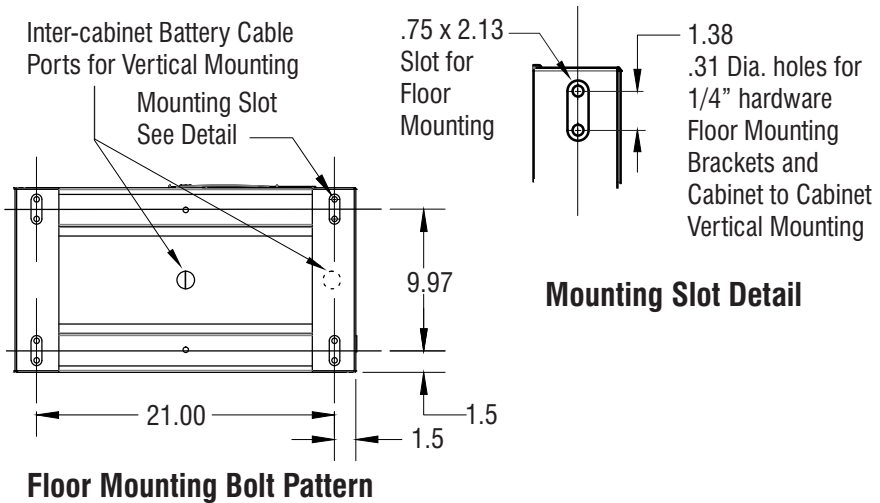
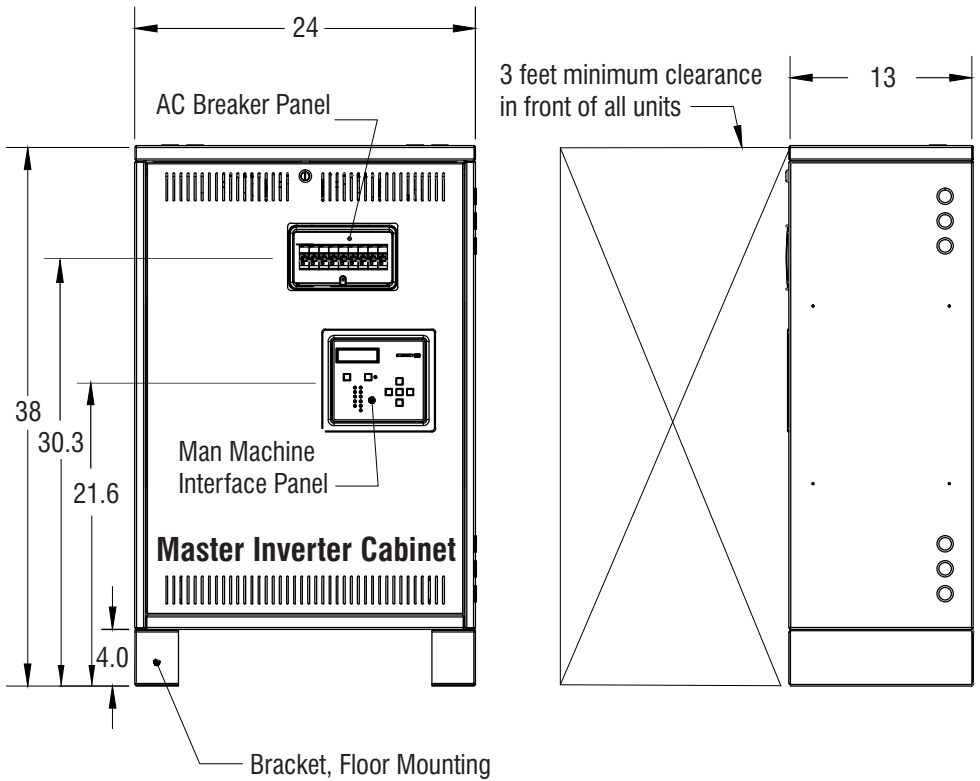
For additional information, please refer to the Installation/Operation Manual

Technical Support / Installation Questions - Call 1-800-967-5573

Monday-Friday, 8AM-5PM EST

2575 Metropolitan Drive • Trevoise • PA 19053 U•S•A

Page 1



Overall Mechanical Dimensions

Technical Support / Installation Questions - Call 1-800-967-5573

Monday-Friday, 8AM-5PM EST

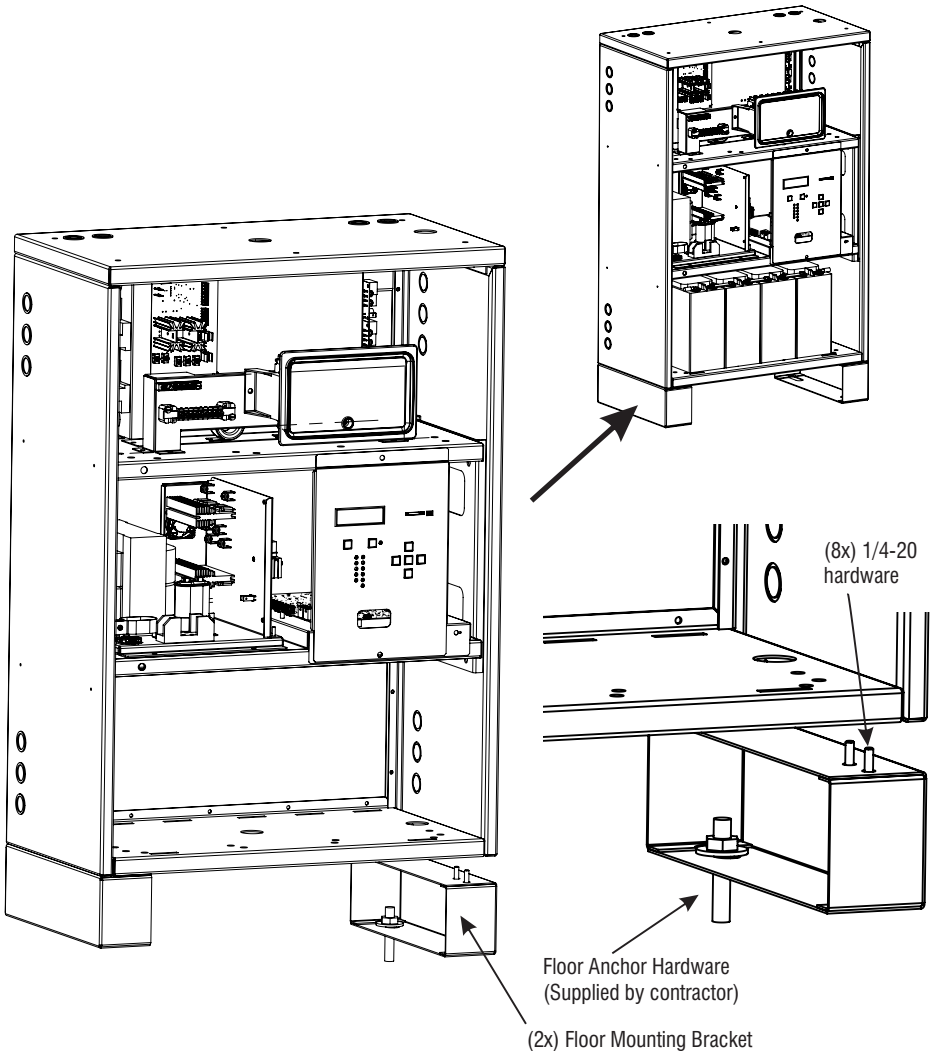
2575 Metropolitan Drive • Trevoose • PA 19053 U•S•A

Page 2

Step 1 Mounting the Cabinet

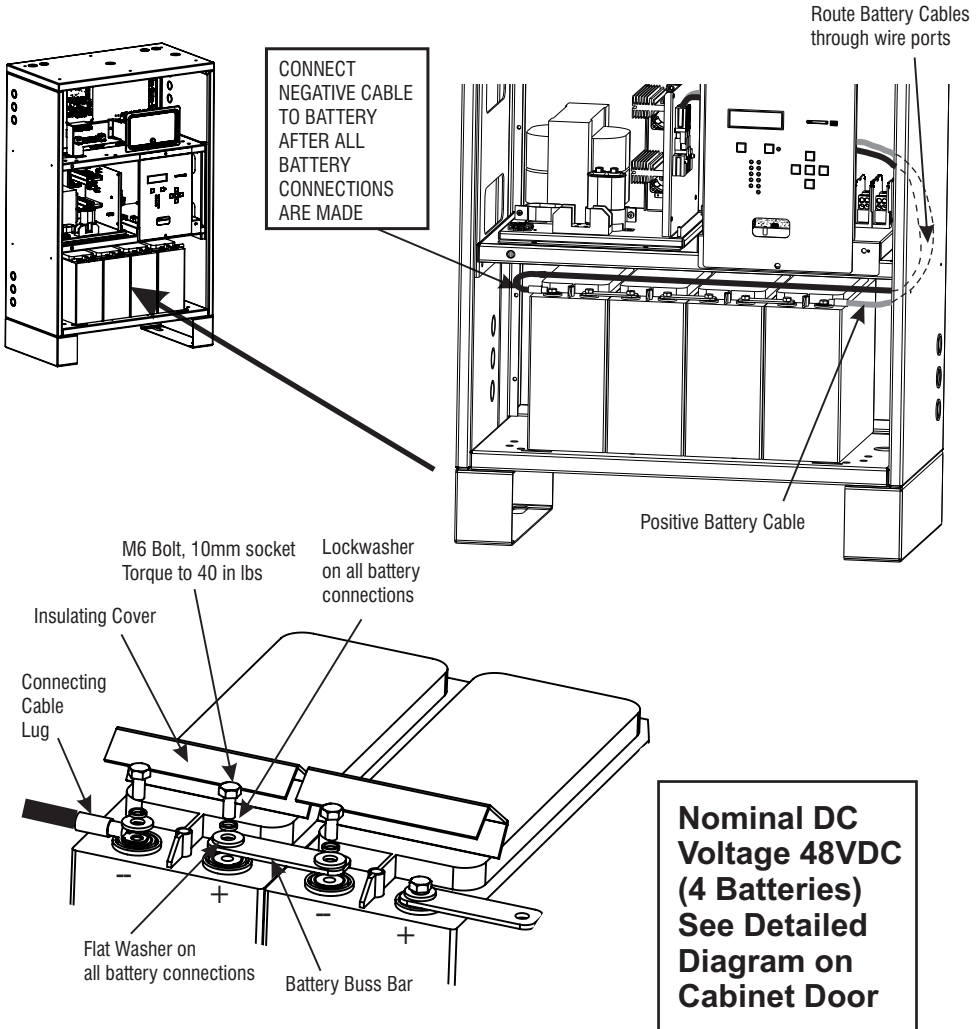
Prepare floor so that it is level and smooth.
Secure Cabinet into floor using Concrete Wedge Anchors or other suitable method. Hardware provided by others.

Note - Uneven surfaces may cause difficult front cover removal/installation.



Step 2 Installing and Wiring the Batteries

1. Load all 4 batteries onto the battery shelf. Ensure proper spacing between batteries so that Battery-Battery Buss Bar Jumpers can be installed properly.
2. Connect Battery String Positive (right battery +)
3. Connect all Battery Buss Bars between adjacent batteries
4. Connect Battery String Negative (left battery -)
5. Measure System DC Voltage after assembly and ensure all connections are made.



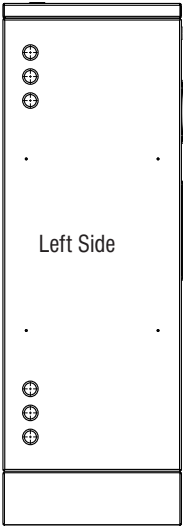
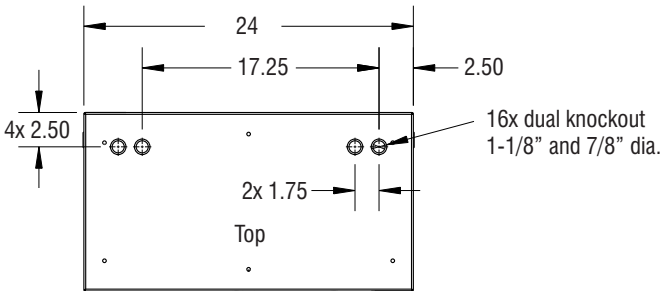
Step 3 Installing the AC Conduit

Use Provided Knock-Outs located on Tops and Sides of Inverter Cabinet

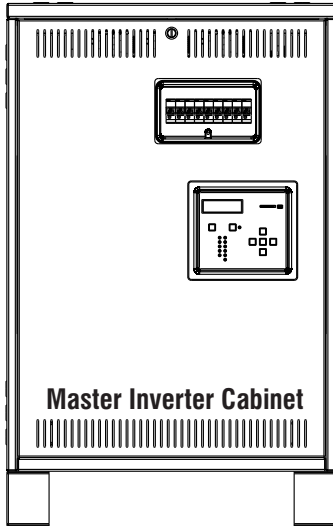
Note – Drilling into cabinets may VOID warrant - metal shavings can short circuit electronic components.

Input and Output Wires should be run in separate conduit per NEC.

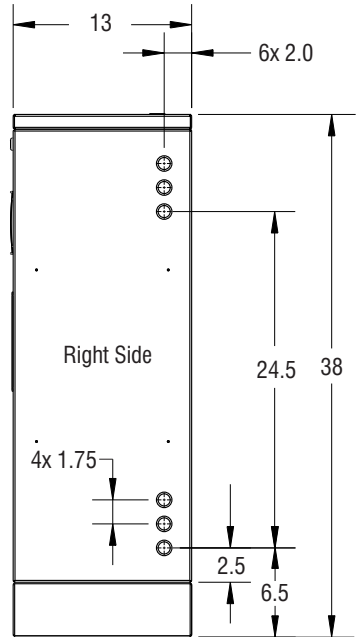
Knock-Outs are a dual size for 7/8" and 1-1/8".
Follow all Local and National Electrical Codes (NEC)



Left Side



Master Inverter Cabinet

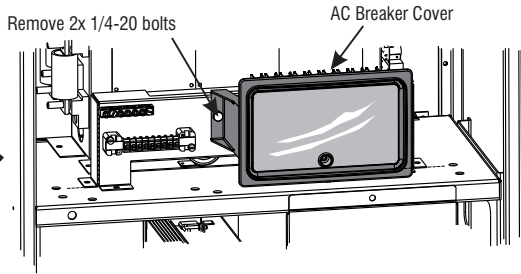
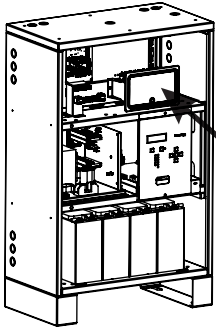


Right Side

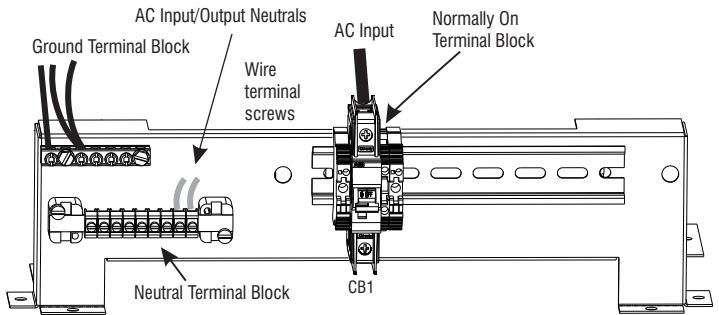
Knockout pattern identical to right

Step 4 Installing the AC Wiring

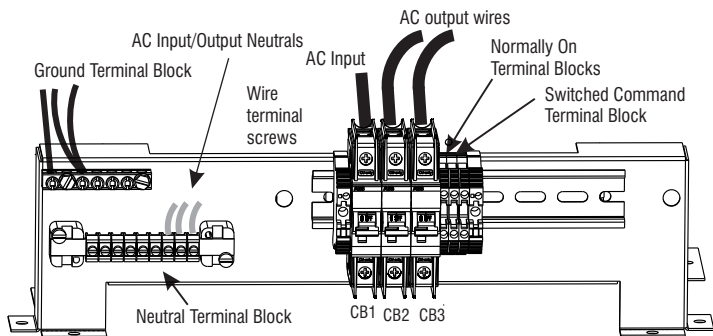
Ensure the AC Input Breaker is in the OFF (Down) position before starting. See Installation/Operating manual (section 7) for AC Input and Output AC ratings. Remove Plastic AC Circuit Breaker Cover (secured with 2 x 1/4-20 bolts). Wire AC input directly to top side of Input Breaker - AC Input Circuit Breaker on Left side. Wire Input Neutral and Ground connections to appropriate Neutral and Ground Bars. Do not share Neutrals with Emergency and Non-Emergency loads. Connect AC output wires to the top side of Normally-On terminal block or output circuit breakers if provided. Standard equipment always has a Normally-On output terminal block for output wire connections. AC Output Breakers are Optional. Follow all Local and National Electrical Codes (NEC)



Standard Output Terminal Block Illustration



Optional Output Circuit Breaker Illustration



Step 5 Starting Up/Energizing the Unit

Ensure batteries are installed, the wiring is checked per Step 2.

Ensure AC Power is present and lighting loads are connected per Step 4.

Flip on Input Circuit Breaker Cb1.

Flip on System's On/Off Switch located to the right of the Interface Panel.

System will go through start up diagnostics and go into charge mode if there are no errors.

Press the system test button or momentarily drop AC power to energize emergency power and ensure that the inverter can support the lighting loads without going into a fault condition.

Replace and secure AC Breaker Cover and its clear access window with locking screw.

Install front cover to Cabinets.

Contents of shipment

1KW Model include:

Cabinets – 1KW model uses single cabinet.

Floor Mounting Brackets – Attached to Battery Cabinet or 1KW Inverter Cabinet.

Batteries – 4 pcs for 1KW

Battery Cable Kit – All Models

Installation/Operation Manual – All Models

Contractors Guide – All Models

Tools Required for Installation (typical all models)

3/8" Nut Driver and/or 3/8" Socket and Ratchet

Straight Blade Screwdriver(s)

Square Head (Robertson) Screwdriver

Phillips Head Screwdriver - #2

10MM Socket and Ratchet – or – 10MM Wrench (Torque set to 30 in-lbs.)

3/16 Allen Head (Only for Side By Side mounting – Battery Cable Replacement)

Hardware for securing cabinet to floor – i.e. Hilti Kwik Bolt or equivalent Multi-Meter capable of DC and AC Measurements