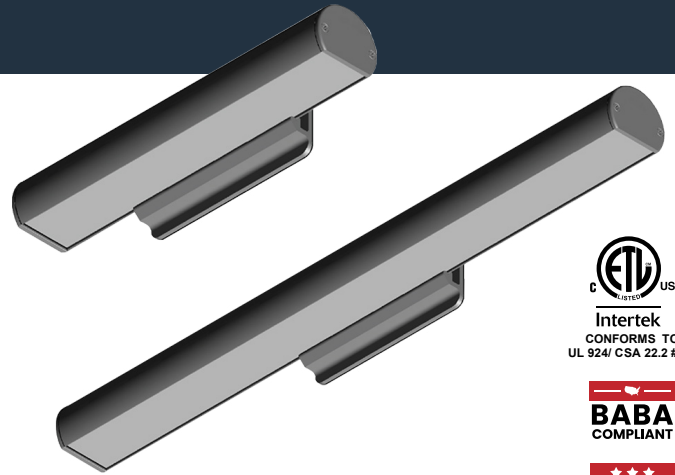


# DÉCOR DESIGNER MM

## Mullion Mount Outdoor LED Emergency Egress Lights

The Décor Designer MM Linear LED combines emergency and night lighting in a sleek, designer fixture. The MM series is designed to mount directly on mullion frames used in typical glass panel entrance structures, with vertical mounting surface as small as 2". Its high-efficiency LEDs and full 90° cut-off provide uniform emergency and night lighting on the extended egress pathway. All models are outdoor rated, UL wet location, ADA compliant, and exceed requirements of UL Standard 924 and NFPA 101. Designed and manufactured in the USA, complies with Buy American requirements.



### CONSTRUCTION

- Extruded aluminum lamp housing 2" diameter, with gasketed mount bracket only 2 ½" height that includes a waterproof compression seal for universal wall or top mount
- Available models include:
  - EM and AC: Single fixtures powered from a Remote Power Supply
  - AC: 120 / 277 VAC input, with or without battery
- Wet location listed, UL924 and certified IP66
- Gasketed, molded end caps and Sealed acrylic lens
- Stainless steel hardware

### ELECTRICAL

- Self-test / self-diagnostic operation is available for EM models powered by a Remote Power Supply; the unit itself includes no internal battery
- Line latch circuit prevents unwanted emergency activation at installation
- 10W Lithium Ion battery standard
- 20W Lithium Ion battery standard, optional NiCad battery available
- Dual function available for emergency or normally-on operation
- EM Models provided with AC indicator and push to test switch
- Standard Operating Temperature
  - EM: 0°C to 50°C (0°F to 122°F)
  - AC: -40°C to 50°C (-40°F to 122° F)

### ILLUMINATION

- Refractive light guide engineered to optimize LED utilization and illumination uniformity
- Maintenance free LED Light source with 25+ years life expectancy

### CERTIFICATION

- Manufactured and tested to UL Standard 924, NFPA Life Safety Code 101, and certified to IP66
- BABA and BAA compliant

### SPECIFICATIONS

- Fixtures:** Supply and install the Décor LED Series Mullion Mount or Series MM Wall Mount emergency lighting fixture. The fixture shall be listed for installation in wet locations in compliance with UL 924 and IP66 standards and shall be capable of operating either from Utility power at 120 / 277VAC, remote power supply Series RPS. Upon loss of AC building power, emergency models shall operate for a minimum of 90 minutes in compliance with UL Standard 924 and NFPA LSC 101.
- RPS:** Supply and install the remote power supply Series RPS. The RPS will be capable of operating the Décor LED® emergency fixture, and shall be available with either a SLA or NiCad battery with charger having universal 120 / 277 VAC input, to supply emergency lighting power for a minimum of 90 minutes in compliance with UL Standard 924 and NFPA LSC 101, or as a power supply without battery. The RPS shall also be capable of operating LED fixtures on or continuous mode, from 120 / 277VAC power input.

### WARRANTY

- 10 year limited warranty- view complete warranty terms online at [www.evenlite.com/terms-warranty](http://www.evenlite.com/terms-warranty).

## ORDERING GUIDE

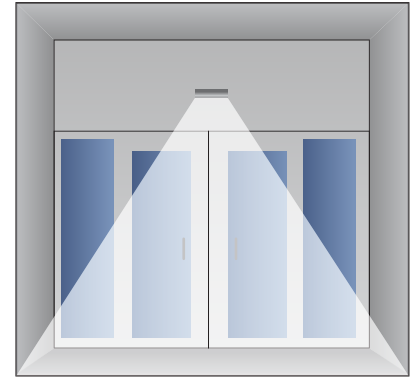
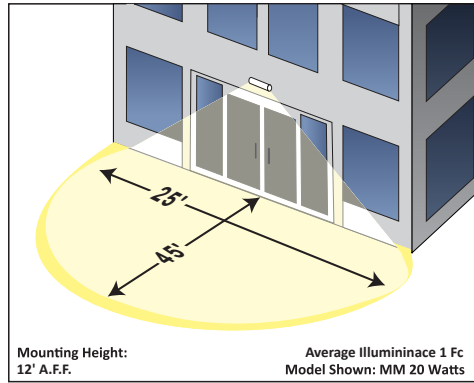
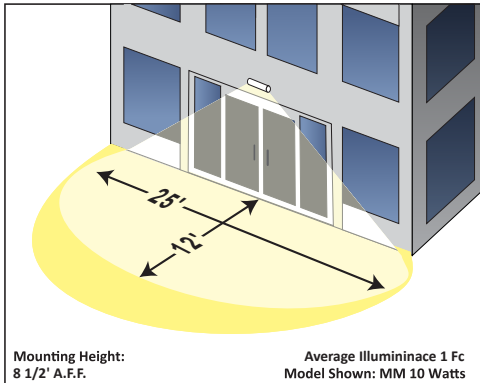
MM-EM-10-WH-T-SD

MODEL	OPERATION	POWER	HOUSING COLOR	MOUNTING	OPTIONS	ORDERING NOTES
MM	EM Battery backup <sup>1</sup>	10 10 Watts <sup>2</sup>	WH White	T Top	SD Self-Test Diagnostics <sup>3</sup>	<ol style="list-style-type: none"> <li>Includes RP</li> <li>Emergency and normal on power.</li> <li>Self-Diagnostics is standard on 10W units and now includes the Night Lighting Control Switch - Must include EM. Available option for 20W units.</li> <li>Only available for the 20W Model.</li> </ol>
	AC AC Supply 120 / 277V	20 20 Watts <sup>2</sup>	SL Silver	W Wall	CW1 3800K Color Temp	
			BZ Bronze		CW2 3200K Color Temp	
			BK Black		CW3 2900K Color Temp	
					2HT 2" Mount Bracket Height	
					5HT 5" Mount Bracket Height	
					REC-RPS Recessed Mount <sup>4</sup>	
					DAC120 Dual AC Input - 120V	
					DAC277 Dual AC Input - 277V	
MM						

Fill in fields from categories above and complete type and part number.

Type No:  Full Part No:

## SPACING GUIDE



Note: For reference only. Standard reflectance 80 / 50 / 20. Evenlite is not responsible for specific conditions that may alter the results.

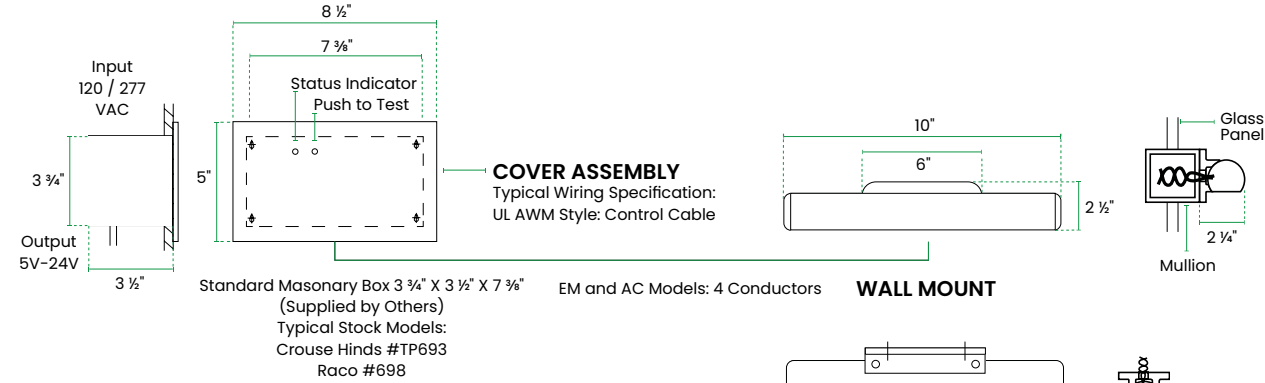
Note: For reference only. Standard reflectance 80 / 50 / 20. Evenlite is not responsible for specific conditions that may alter the results.

## SELF-TEST DIAGNOSTIC FUNCTIONS

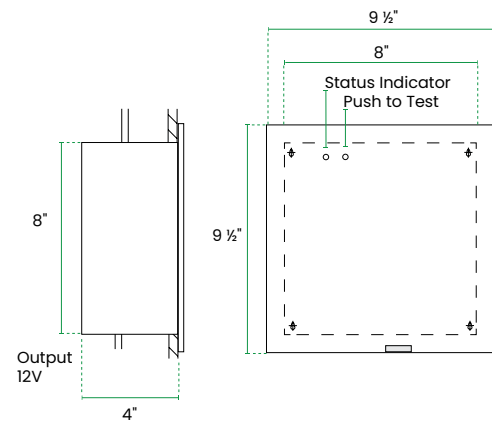
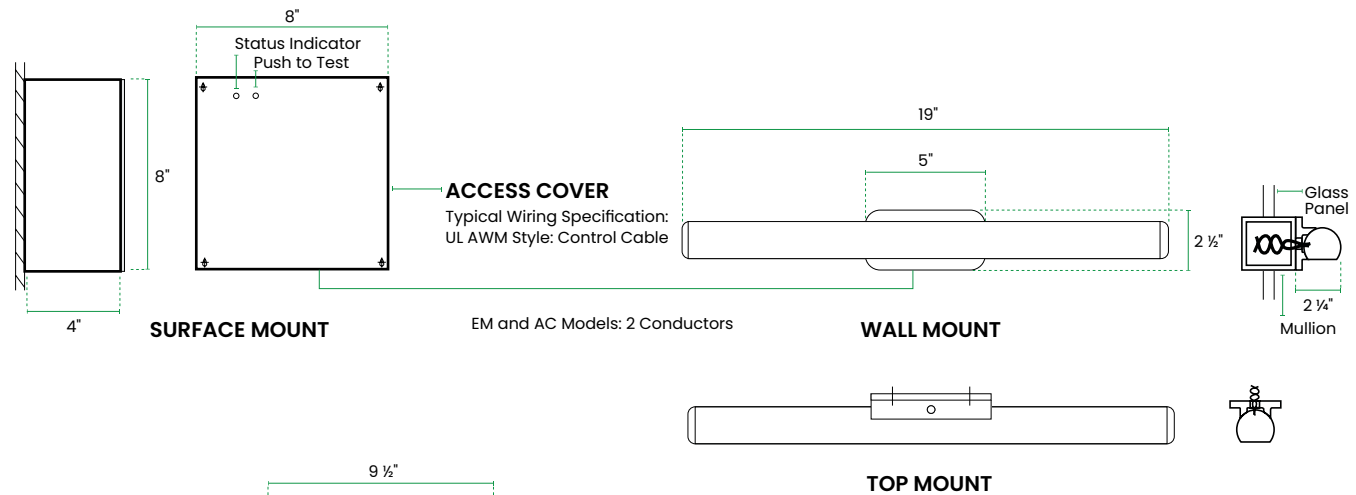
EM MODELS	
STATUS	LED DISPLAY
GREEN ON	Normal Full Charge
ORANGE ON	Normal Fast Charge
RED FLASH FAST [X2]	Failed Battery
GREEN FLASH [X3]	Failed Lamp
ORANGE FLASH [X2]	Failed Transfer
RED FLASH SLOW [X2]	Failed Charger

**DIMENSIONS & MOUNTING DATA**

**REMOTE POWER SUPPLY (RPS)  
10 WATT AC & EM MODELS**



**REMOTE POWER SUPPLY (RPS)  
20 WATT AC & EM MODELS**



**RECESSED MOUNT (OPTION REC)**

**MAXIMUM WIRING LENGTH FROM RPS TO FIXTURE**

WIRING SIZE AWG	LENGTH	
	MM10	MM20
#22	NA	20
#20	12	40
#18	25	60
#16	50	100
#14	75	160
#12	125	250